



DOBEST BRIGHT CO.,LIMITED

中山好倍儿照明有限公司
多贝尔电子科技有限公司



LED Linear Lighting System Catalog

DOBEST BRIGHT CO.,LIMITED

中山好倍儿照明有限公司
多贝尔电子科技有限公司

Web: www.tracklinearlight.com

Factory Address 1: 3rd Floor, No. 26, Pingbei 1st Road, Nanping Science and Technology Industrial Park, Xiangzhou District, Zhuhai City, Guangdong, P.R China

Factory Address 2: 2nd Floor, 3rd Floor, No. 15, 1st Street, Hongye Road, Caoer, Guzhen Town, Zhongshan City, Guangdong Province

Email: candy@dobestbright.com / sales@dobestbright.com

Tel/Fax: +86-0756-3338786

Whatsapp: +86-18902868159



ABOUT **DOBEST**

DOBEST management has been working in the LED Lighting industry since 2008 and has had its oversea department since 2012. It is a professional manufacturing enterprise that focuses on the research and development and production of lighting fixtures.

DOBEST based in Zhuhai and Zhongshan Guangdong Province, and there are 2000 m² production line and warehouse in ZhongShan and a 500 m² show room and warehouse in Zhuhai.

www.tracklinearlight.com

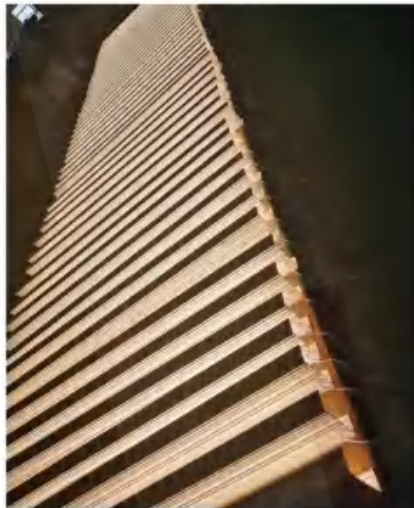
DOBEST is a professional manufacturer with R&D and production in one, specializing in Led magnetic track lights, led Linear lights and LED Aluminum Profile, led penal lights, etc. Thanks to our inherited commitments to high QA/QC procedures, our operation process is accredited by ISO9001-2015. All of our product is with ETL, CE(EMC&LVD), RoHS, and SAA certifications.

DOBEST has a professional optical design, appearance design, thermal design, structure design, and electronic design engineers team. Our marketing team will collect your requirements, timely feedback to the relevant departments to solve your problems, provide quality and fast after-sales service.

www.tracklinearlight.com

Brighten your life

FACTORY



Dobest extrusion workshop



Injection Workshop

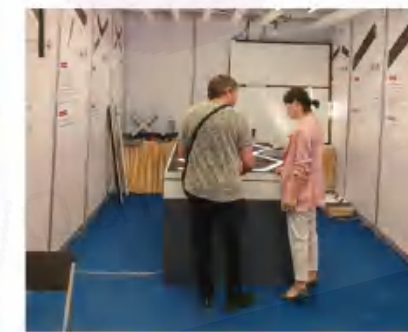
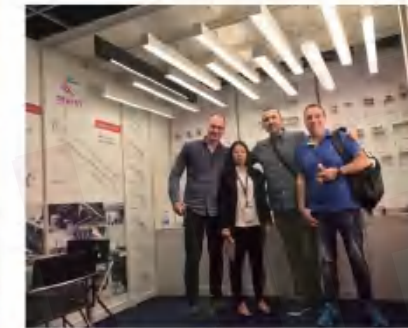
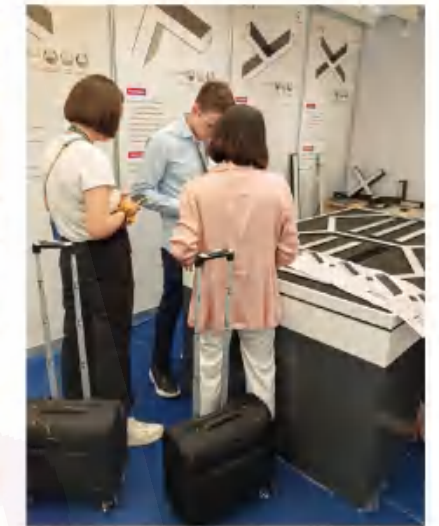


Assembly Line



Integrating Sphere Test

CERTIFICATES AND EXHIBITIONS

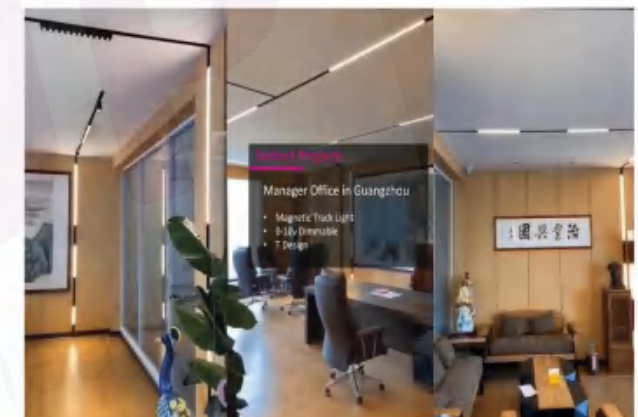
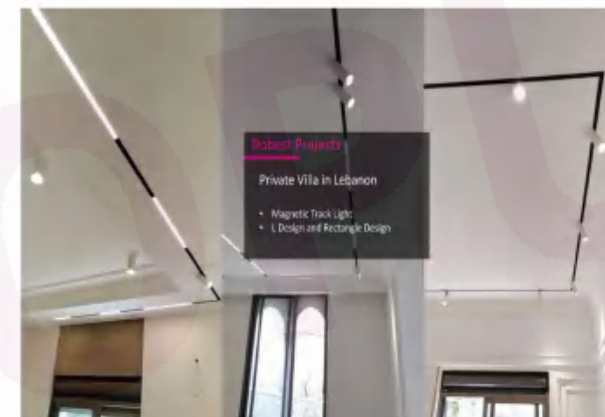
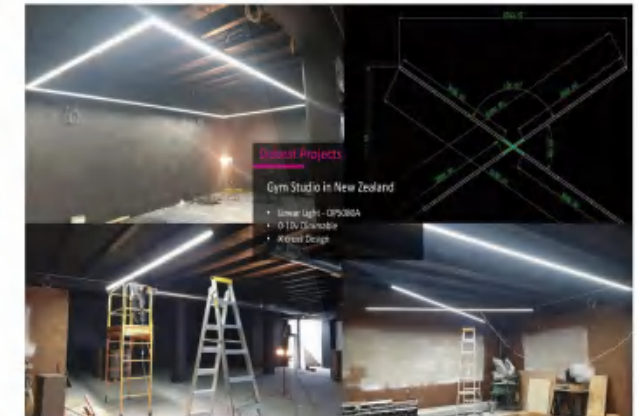
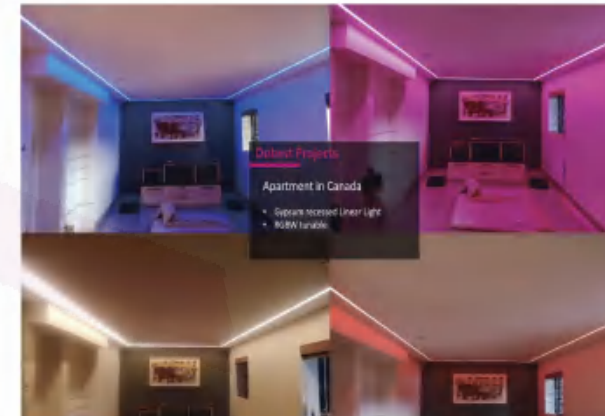
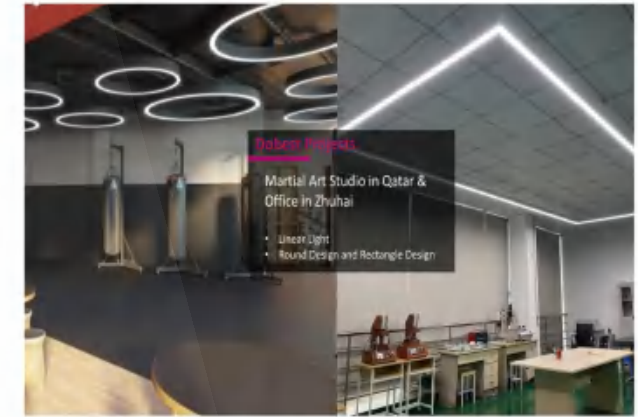
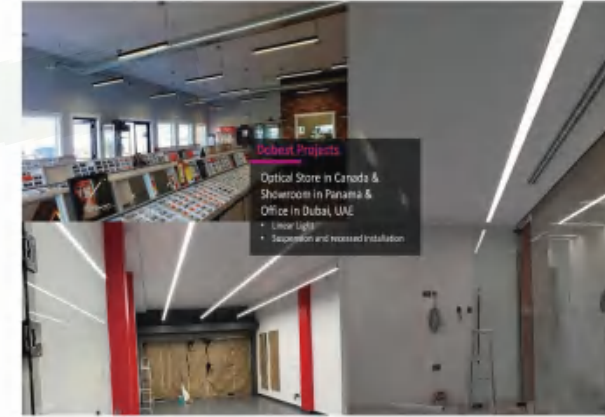


DOBEST BRIGHT PROJECT

- Light Planning
- Light Calculation (DIALUX)
- Photometric Simulation
- Customizing Light Solutions
- Comparison Studies
- Product Sourcing

Dobest Engineering Services

People make a successful organization. Dobest has a team of motivated light professionals to offer a multitude of light related services to find the best result for your projects



Dobest works together with clients to create fabulous customized lighting. Strong supply chain allow us to offer customized lighting service with reasonable price, satisfied quality. Noted: Only photos that the client has agreed to make public will be displayed.

Brighten your life, warm your heart

PMMA NORMAL SERIES



Colour:

- Sand black
- Sand white
- Wood grain
- Matte black
- Matte white
- Silver



Exploded View



PMMA Diffuser



Montage

DIRECT LED LINEAR

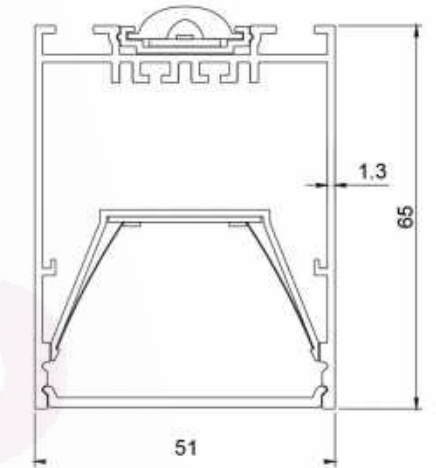


FEATURES

- High efficacy up to 100-130lm/w.
- UV-resistance PMMA diffuser.
- Indirect and Direct LED Lighting.
- Profile detachable design structure.
- No screw design with the end cap.
- Seamless splicing of various shapes(X;L;T;Y Shape).
- DALI dimming is available.
- Emergency backup and sensor optional are also available.

DIMENSIONS

Length	Width	Height
4ft/47"/1200mm	2"/51mm	2.56"/65mm
5ft/59"/1500mm	2"/51mm	2.56"/65mm
6ft/71"/1800mm	2"/51mm	2.56"/65mm
8ft/94"/2400mm	2"/51mm	2.56"/65mm



SPECIFICATION

Model	Power	Efficacy	CCT	Input Voltage
DB-OP5165-xx	25-30W/M	100-130 lm/w	3000K/4000K/5000K	AC180-264V /110-277V
Size (L*W*H)	Beam Angle	Diffuser Material	End Cap Material	Body Material
W51*H65mm	104.1°	PMMA	PC	1.3mm 6063 Aluminum



Brighten your life

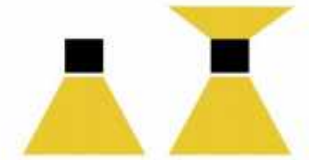
PMMA PRISMATIC/RHOMBIC SERIES

DIRECT LED LINEAR



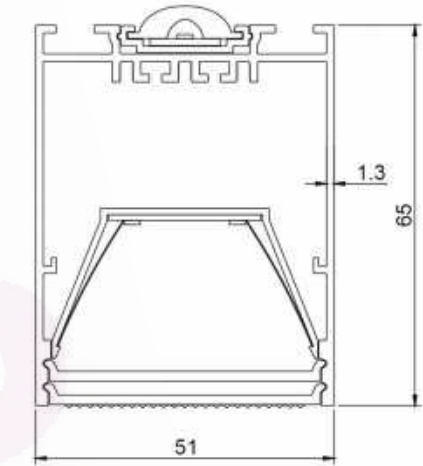
FEATURES

- High efficacy up to 80-110 lm/w
- UV-resistance PMMA prismatic diffuser.
- Indirect and Direct LED Lighting.
- Profile detachable design structure.
- No screw design with end cap.
- Seamless splicing of various shapes(X;L;T;Y Shape).
- Dali dimming is available.
- Emergency back up and sensor optional also available.



DIMENSIONS

Length	Width	Height
4ft/47"/1200mm	2"/51mm	2.56"/65mm
5ft/59"/1500mm	2"/51mm	2.56"/65mm
6ft/71"/1800mm	2"/51mm	2.56"/65mm
8ft/94"/2400mm	2"/51mm	2.56"/65mm



SPECIFICATION

Model	Power	Efficacy	CCT	Input Voltage
DB-OP5165-xx	25-30W/M	80-110 lm/w	3000K/4000K/5000K	AC180-264V /110-277V
Size (L*W*H)	Beam Angle	Diffuser Material	End Cap Material	Body Material
W51*H65mm	96.6°	PMMA	PC	1.3mm 6063 Aluminum

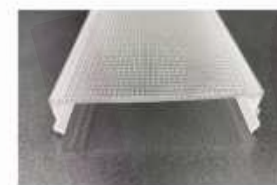


Colour:

- Sand black
- Sand white
- Wood grain
- Matte black
- Matte white
- Silver



Exploded View



Mircoprismatic PMMA Diffuser



Montage

Brighten your life

PMMA POLARIZING SERIES

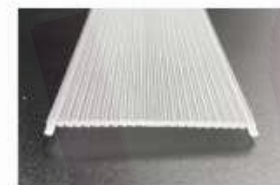


Colour:

- Sand black
- Sand white
- Wood grain
- Matte black
- Matte white
- Silver



Exploded View



Polarizing PMMA Diffuser



Montage

DIRECT LED LINEAR

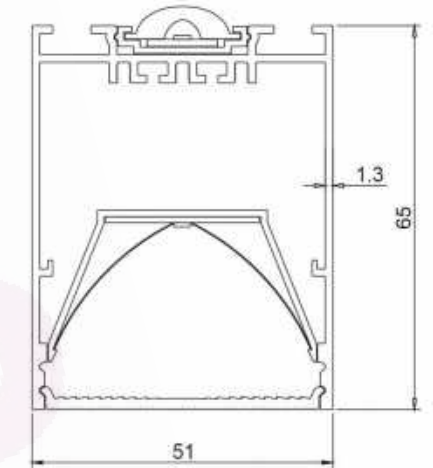


FEATURES

- High efficacy up to 110-140lm/w
- UV-resistance PMMA polarizing diffuser with UGR<19.
- Indirect and Direct LED Lighting.
- Profile detachable design structure.
- No screw design with end cap.
- Seamless splicing of various shapes(X;L;T;Y Shape).
- Dali dimming are available.
- Emergency back up and sensor optional also available.

DIMENSIONS

Length	Width	Height
4ft/47"/1200mm	2"/51mm	2.56"/65mm
5ft/59"/1500mm	2"/51mm	2.56"/65mm
6ft/71"/1800mm	2"/51mm	2.56"/65mm
8ft/94"/2400mm	2"/51mm	2.56"/65mm



SPECIFICATION

Model	Power	Efficacy	CCT	Input Voltage
DB-OP5165-xx	25-30W/M	110-140 lm/w	3000K/4000K/5000K	AC180-264V /110-277V
Size (L*W*H)	Beam Angle	Diffuser Material	End Cap Material	Body Material
W51*H65mm	112.1°	PMMA	PC	1.3mm 6063 Aluminum



Brighten your life

PMMA FRESNEL SERIES

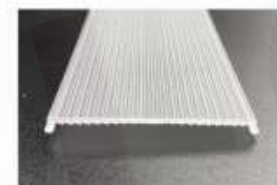


Colour:

- Sand black
- Sand white
- Wood grain
- Matte black
- Matte white
- Silver



Exploded View



Fresnel Lens 60°
PMMA Diffuser



Montage

DIRECT LED LINEAR

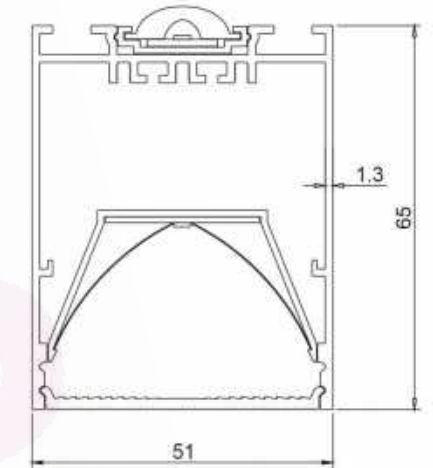


FEATURES

- High efficacy up to 100-130lm/w
- UV-resistance PMMA fresnel 60° diffuser with UGR<19.
- Indirect and Direct LED Lighting.
- Profile detachable design structure.
- No screw design with end cap.
- Seamless splicing of various shapes(X;L;T;Y Shape).
- Dali dimming are available.
- Emergency back up and sensor optional also available.

DIMENSIONS

Length	Width	Height
4ft/47"/1200mm	2"/51mm	2.56"/65mm
5ft/59"/1500mm	2"/51mm	2.56"/65mm
6ft/71"/1800mm	2"/51mm	2.56"/65mm
8ft/94"/2400mm	2"/51mm	2.56"/65mm



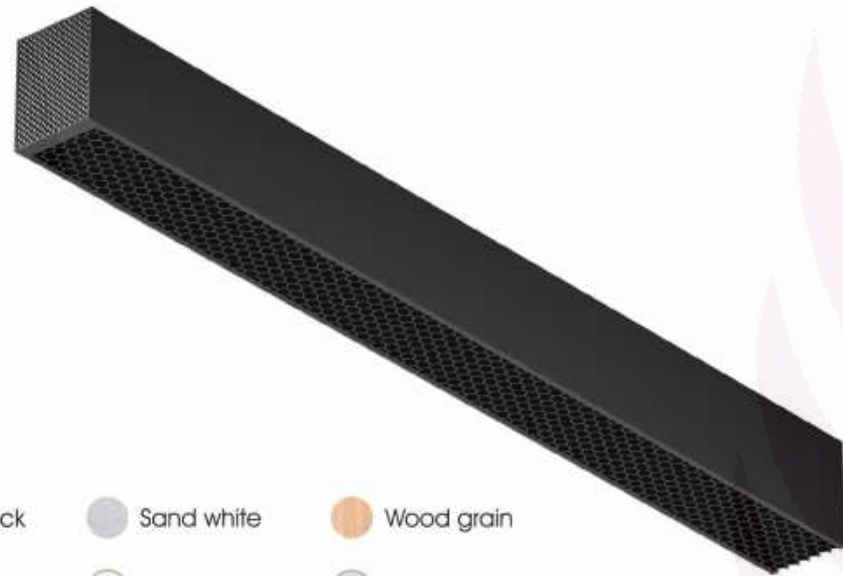
SPECIFICATION

Model	Power	Efficacy	CCT	Input Voltage
DB-OP5165-xx	25-30W/M	100-130 lm/w	3000K/4000K/5000K	AC180-264V /110-277V
Size (L*W*H)	Beam Angle	Diffuser Material	End Cap Material	Body Material
W51*H65mm	76.6°	PMMA	PC	1.3mm 6063 Aluminum



Brighten your life

CELLULAR NETWORK SERIES



Colour:

- Sand black
- Sand white
- Wood grain
- Matte black
- Matte white
- Silver



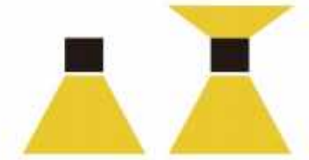
Exploded View



Honeycomb Covers Diffuser

Montage

DIRECT LED LINEAR

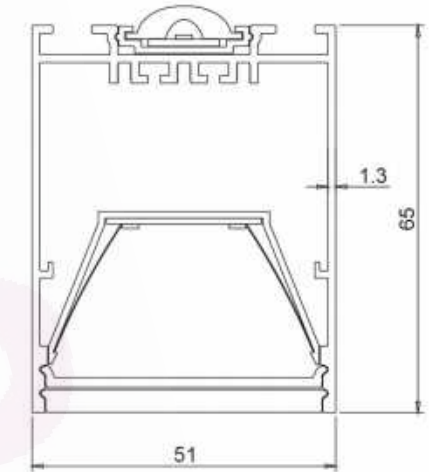


FEATURES

- Anti-Glare design with UGR <19.
- Indirect and Direct LED Lighting.
- Profile detachable design structure.
- No screw design with end cap.
- Seamless splicing of various shapes(X;L;T;Y Shape).
- Dali dimming are available.
- Emergency back up and sensor optional also available.

DIMENSIONS

Length	Width	Height
4ft/47"/1200mm	2"/51mm	2.56"/65mm
5ft/59"/1500mm	2"/51mm	2.56"/65mm
6ft/71"/1800mm	2"/51mm	2.56"/65mm
8ft/94"/2400mm	2"/51mm	2.56"/65mm



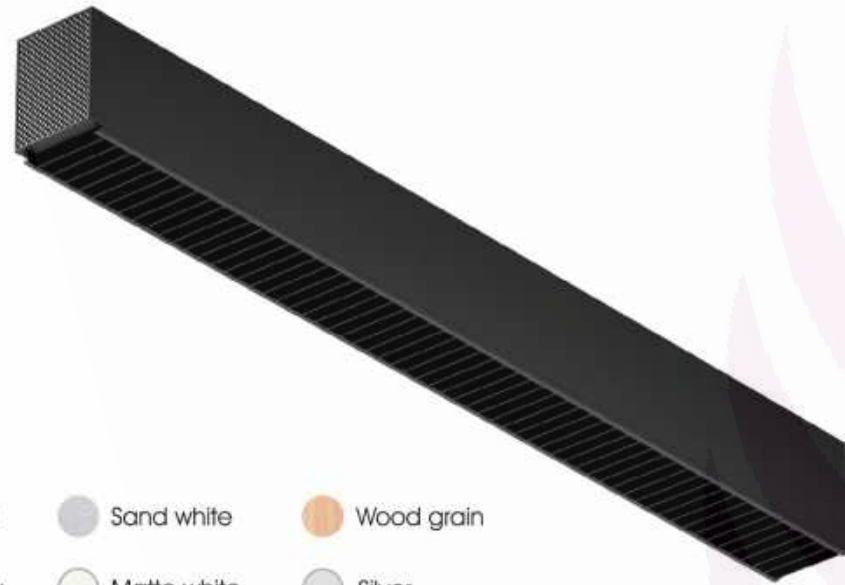
SPECIFICATION

Model	Power	Efficary	CCT	Input Voltage
DB-OP5165-xx	25-30W/M	40-50 lm/w	3000K/4000K/5000K	AC180-264V /110-277V
Size (L*W*H)	Beam Angle	Diffuser Material	End Cap Material	Body Material
W51*H65mm	66.1°	PMMA	PC	1.3mm 6063 Aluminum



Brighten your life

GRILLE SERIES



Colour:

- Sand black
- Sand white
- Wood grain
- Matte black
- Matte white
- Silver



Exploded View



Grille Diffuser

Montage

DIRECT LED LINEAR

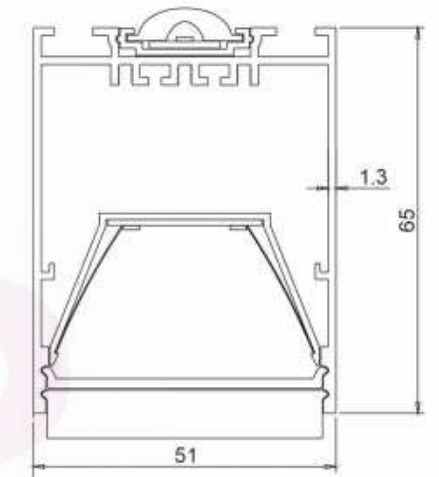


FEATURES

- Anti-Glare design with UGR <19.
- Indirect and Direct LED Lighting.
- Profile detachable design structure.
- No screw design with end cap.
- Seamless splicing of various shapes(X;L;T;Y Shape).
- Dali dimming are available.
- Emergency back up and sensor optional also available.

DIMENSIONS

Length	Width	Height
4ft/47"/1200mm	2"/51mm	2.56"/65mm
5ft/59"/1500mm	2"/51mm	2.56"/65mm
6ft/71"/1800mm	2"/51mm	2.56"/65mm
8ft/94"/2400mm	2"/51mm	2.56"/65mm



SPECIFICATION

Model	Power	Efficacy	CCT	Input Voltage
DB-OP5165-xx	25-30W/M	50-60 lm/w	3000K/4000K/5000K	AC180-264V /110-277V
Size (L*W*H)	Beam Angle	Diffuser Material	End Cap Material	Body Material
W51*H65mm	68.9°	PMMA	PC	1.3mm 6063 Aluminum



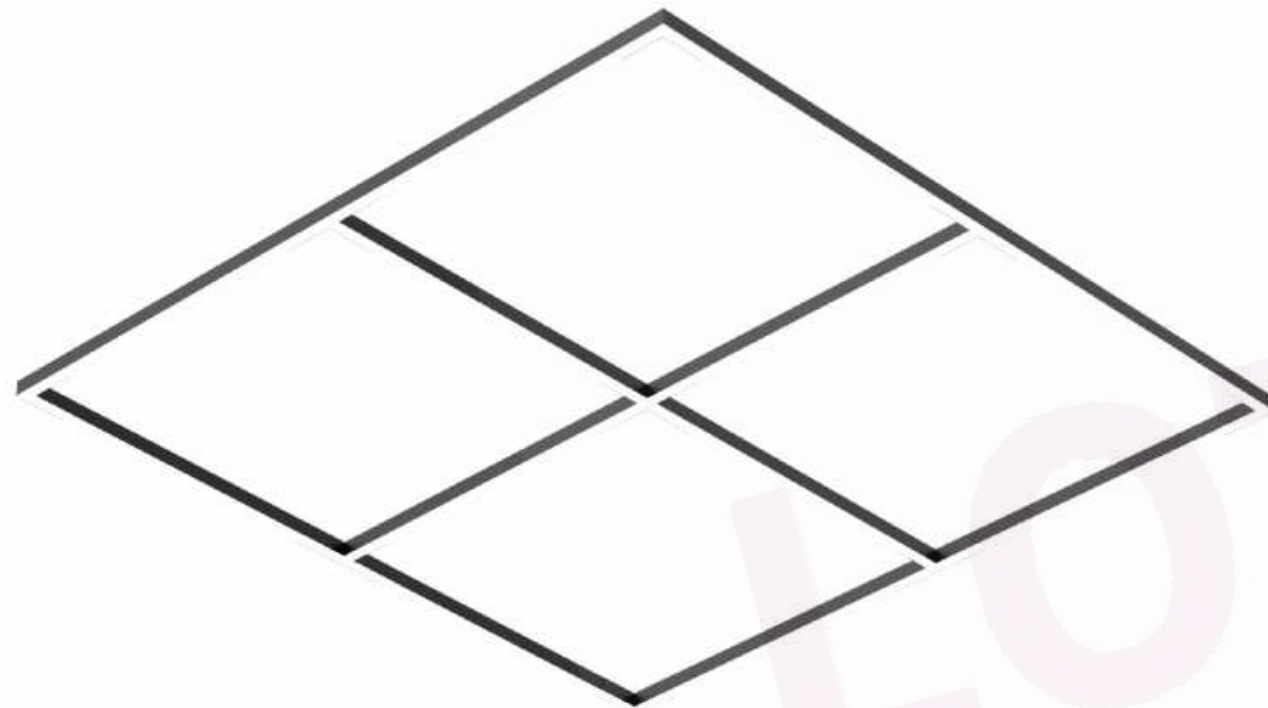
Brighten your life

PMMA L-SHAPE



Colour:

- Sand black
- Sand white
- Wood grain
- Matte black
- Matte white
- Silver



DIRECT LED LINEAR

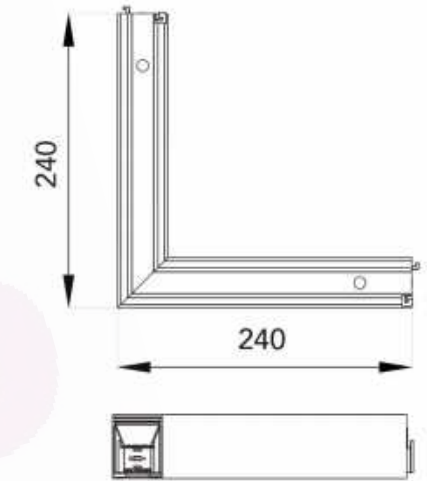


FEATURES

- High efficacy up to 100-130 lm/w.
- UV-resistance PMMA diffuser.
- Indirect and Direct LED Lighting.
- Profile detachable design structure.
- No screw design with the end cap.
- Seamless splicing of various shapes(X;L;T;Y Shape).
- DALI dimming is available.
- Emergency backup and sensor optional is available.

DIMENSIONS

Length	Width	Height
0.79ft*0.79ft/9.45"*9.45"/240*240mm	2"/51mm	2.56"/65mm



SPECIFICATION

Power	Efficary	CCT	Input Voltage
25-30W/M	100-130 lm/w	3000K/4000K/5000K	AC180-264V /110-277V
Size (L*W*H)	Diffuser Material	End Cap Material	Body Material
W51*H65mm	PMMA	PC	1.3mm 6063 Aluminum



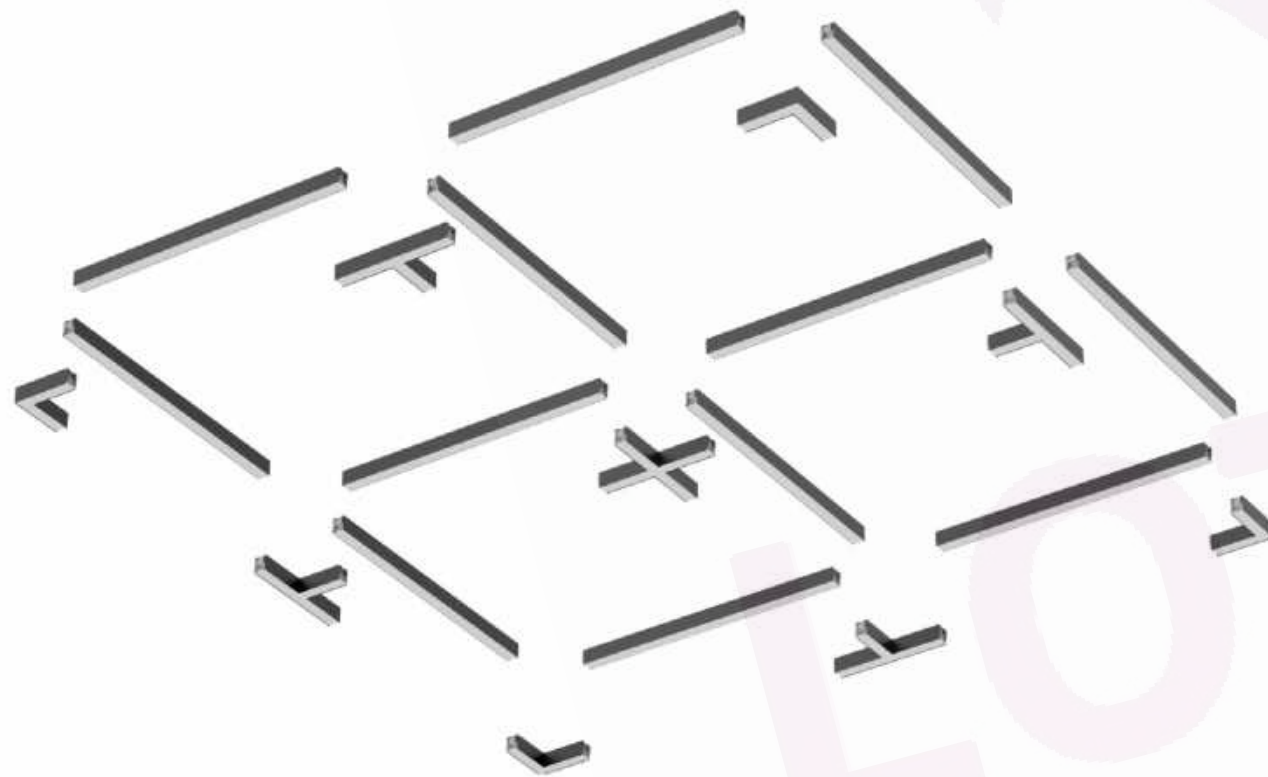
Brighten your life

PMMA T-SHAPE



Colour:

- Sand black
- Sand white
- Wood grain
- Matte black
- Matte white
- Silver



DIRECT LED LINEAR

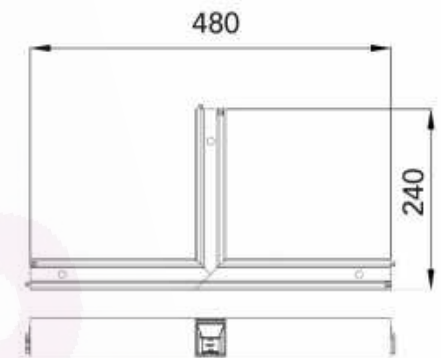


FEATURES

- High efficacy up to 100-130 lm/w.
- UV-resistance PMMA diffuser.
- Indirect and Direct LED Lighting.
- Profile detachable design structure.
- No screw design with the end cap.
- Seamless splicing of various shapes(X;L;T;Y Shape).
- DALI dimming is available.
- Emergency backup and sensor optional is available.

DIMENSIONS

Length	Width	Height
1.57ft*0.79ft/18.90"*9.45"/480*240mm	2"/51mm	2.56"/65mm



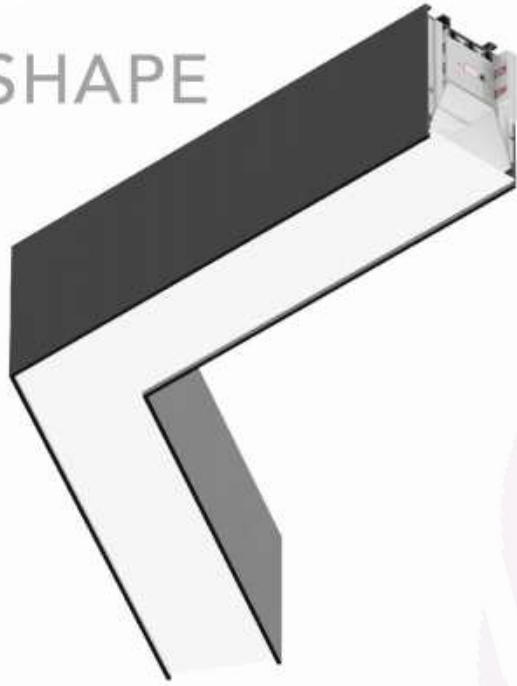
SPECIFICATION

Power	Efficary	CCT	Input Voltage
25-30W/M	100-130 lm/w	3000K/4000K/5000K	AC180-264V /110-277V
Size (L*W*H)	Diffuser Material	End Cap Material	Body Material
W51*H65mm	PMMA	PC	1.3mm 6063 Aluminum



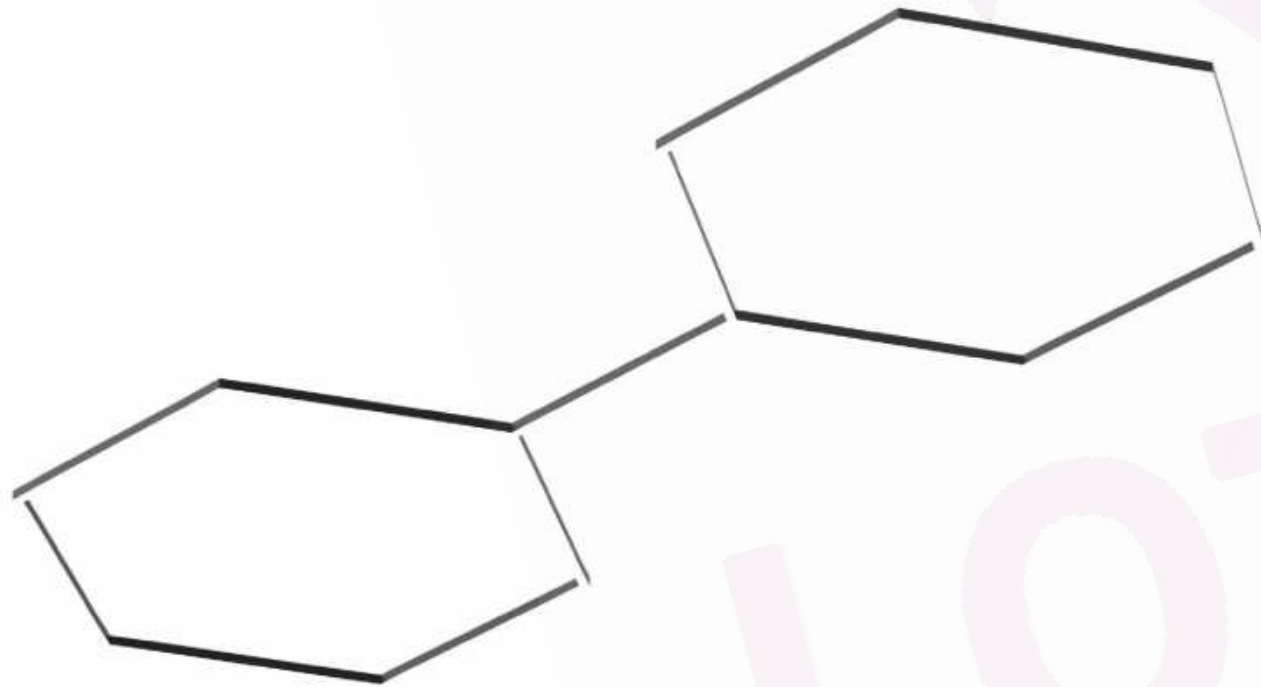
Brighten your life

PMMA HEXAGON SHAPE



Colour:

- Sand black
- Sand white
- Wood grain
- Matte black
- Matte white
- Silver



DIRECT LED LINEAR

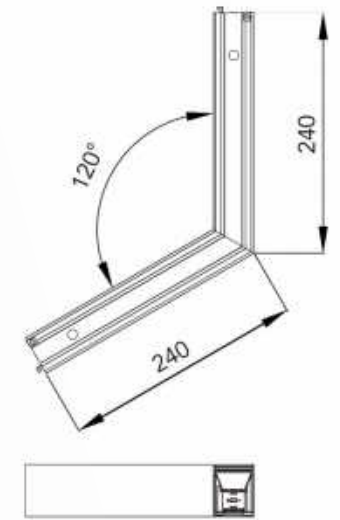


FEATURES

- High efficacy up to 100-130 lm/w.
- UV-resistance PMMA diffuser.
- Indirect and Direct LED Lighting.
- Profile detachable design structure.
- No screw design with the end cap.
- Seamless splicing of various shapes(X;L;T;Y Shape).
- DALI dimming is available.
- Emergency backup and sensor optional is available.

DIMENSIONS

Length	Width	Height
0.79ft*0.79ft/9.45"*9.45"/240*240mm	2"/51mm	2.56"/65mm



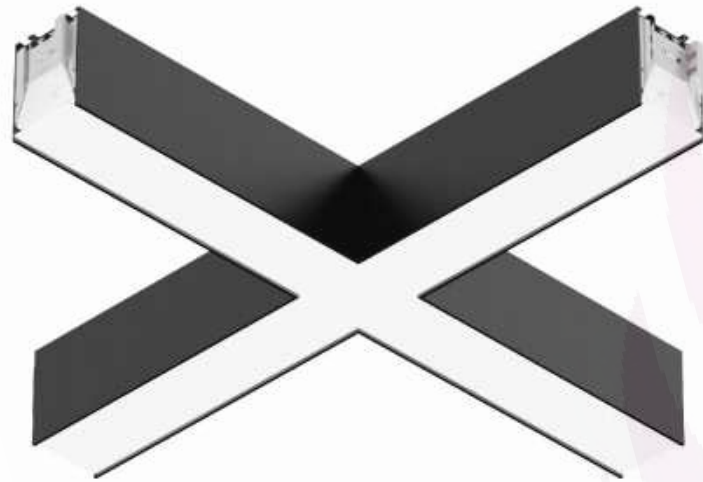
SPECIFICATION

Power	Efficacy	CCT	Input Voltage
25-30W/M	100-130 lm/w	3000K/4000K/5000K	AC180-264V /110-277V
Size (L*W*H)	Diffuser Material	End Cap Material	Body Material
W51*H65mm	PMMA	PC	1.3mm 6063 Aluminum



Brighten your life

PMMA X-SHAPE



Colour:

- Sand black
- Sand white
- Wood grain
- Matte black
- Matte white
- Silver



DIRECT LED LINEAR

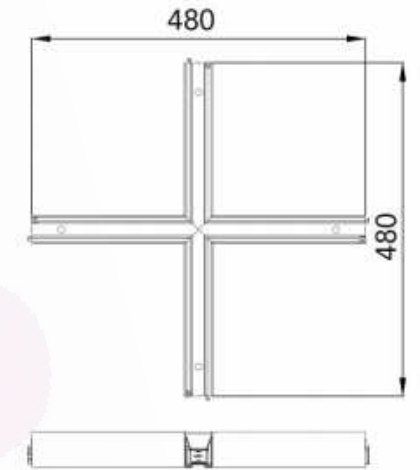


FEATURES

- High efficacy up to 100-130 lm/w.
- UV-resistance PMMA diffuser.
- Indirect and Direct LED Lighting.
- Profile detachable design structure.
- No screw design with the end cap.
- Seamless splicing of various shapes(X;L;T;Y Shape).
- DALI dimming is available.
- Emergency backup and sensor optional is available.

DIMENSIONS

Length	Width	Height
1.57ft*1.57ft/18.90"*18.90"/480*480mm	2"/51mm	2.56"/65mm



SPECIFICATION

Power	Efficary	CCT	Input Voltage
25-30W/M	100-130 lm/w	3000K/4000K/5000K	AC180-264V /110-277V
Size (L*W*H)	Diffuser Material	End Cap Material	Body Material
W51*H65mm	PMMA	PC	1.3mm 6063 Aluminum



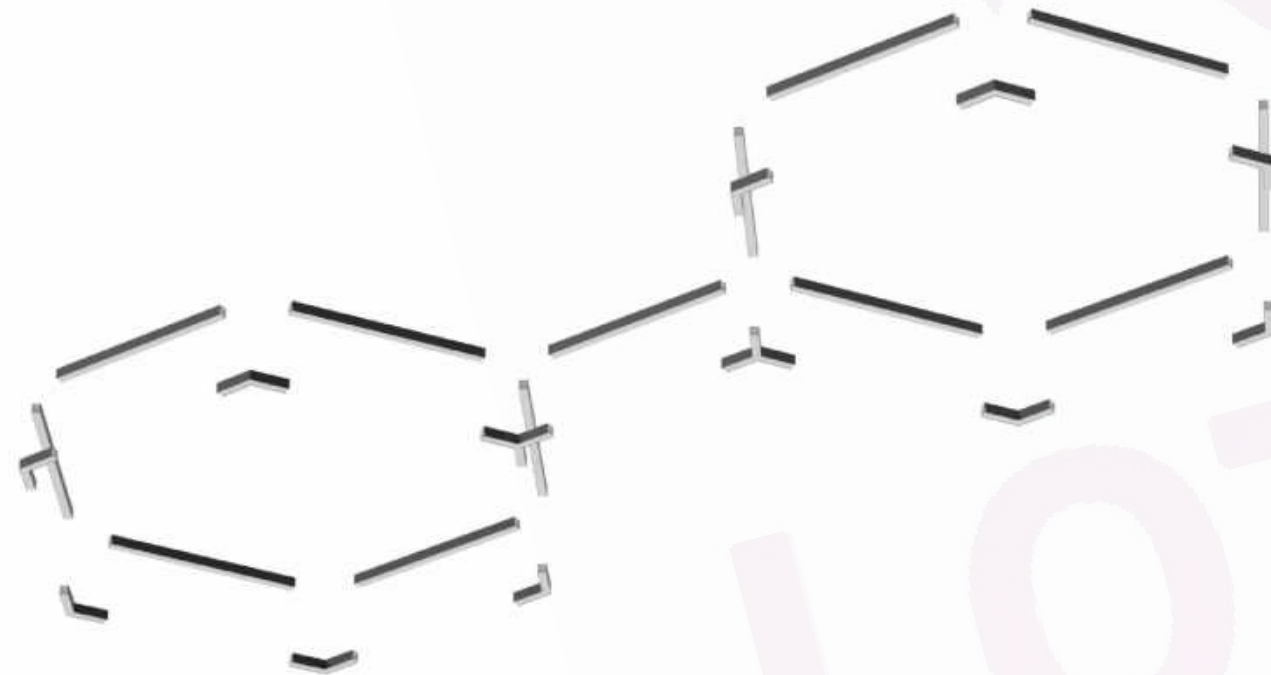
Brighten your life

PMMA Y-SHAPE



Colour:

- Sand black
- Sand white
- Wood grain
- Matte black
- Matte white
- Silver



DIRECT LED LINEAR

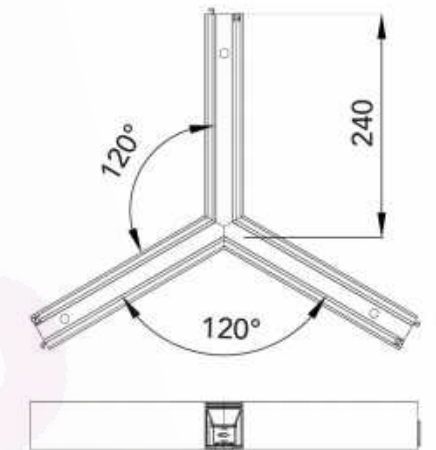


FEATURES

- High efficacy up to 100-130 lm/w.
- UV-resistance PMMA diffuser.
- Indirect and Direct LED Lighting.
- Profile detachable design structure.
- No screw design with the end cap.
- Seamless splicing of various shapes(X;L;T;Y Shape).
- DALI dimming is available.
- Emergency backup and sensor optional is available.

DIMENSIONS

Length	Width	Height
1.57ft*1.57ft/18.90"*18.90"/480*480mm	2"/51mm	2.56"/65mm



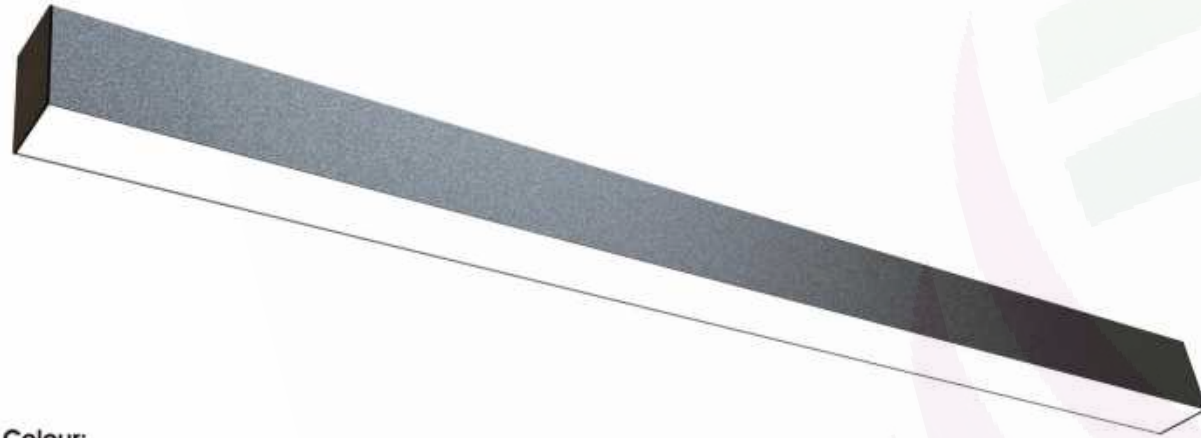
SPECIFICATION

Power	Efficary	CCT	Input Voltage
25-30W/M	100-130 lm/w	3000K/4000K/5000K	AC180-264V /110-277V
Size (L*W*H)	Diffuser Material	End Cap Material	Body Material
W51*H65mm	PMMA	PC	1.3mm 6063 Aluminum



Brighten your life

LED LINEAR LIGHT SERIES



Colour:

- Sand black
- Sand white
- Wood grain
- Matte black
- Matte white
- Silver



DIRECT LED LINEAR

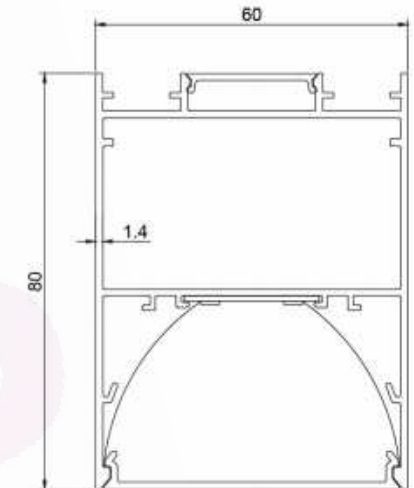


FEATURES

- Up to 100 lm/w, CRI>80 or CRI>90.
- UV-resistance PMMA diffuser.
- High Quality extruded 1.4mm 6063 aluminum profile.
- No screw design with end cap.
- 0-10V/1-10V;Dali;Traic dimming are available.
- Emergency back up and sensor optional also available.
- Easy installation, suspending, surface and wall mounted,does not require any assembly.
- Brand BOKE driver with 5 years warranty.

DIMENSIONS

Length	Width	Height
4ft/47"/1200mm	2.36"/60mm	3.15"/80mm
5ft/59"/1500mm	2.36"/60mm	3.15"/80mm
6ft/71"/1800mm	2.36"/60mm	3.15"/80mm
8ft/94"/2400mm	2.36"/60mm	3.15"/80mm



SPECIFICATION

Model	Power	Luminous	Efficary	CCT	Input Voltage	PF	Beam Angle
DB-OP6080-xx	30W	3000 lm	100 lm/w	3000K/4000K/5000K	AC180-264V /110-277V	>0.9	110°
DB-OP6080-xx	40W	4000 lm	100 lm/w	3000K/4000K/5000K	AC180-264V /110-277V	>0.9	110°
DB-OP6080-xx	50W	5000 lm	100 lm/w	3000K/4000K/5000K	AC180-264V /110-277V	>0.9	110°
DB-OP6080-xx	60W	6000 lm	100 lm/w	3000K/4000K/5000K	AC180-264V /110-277V	>0.9	110°

Brighten your life

LED LINEAR LIGHT SERIES



Colour:

- Sand black
- Sand white
- Wood grain
- Matte black
- Matte white
- Silver



DIRECT LED LINEAR

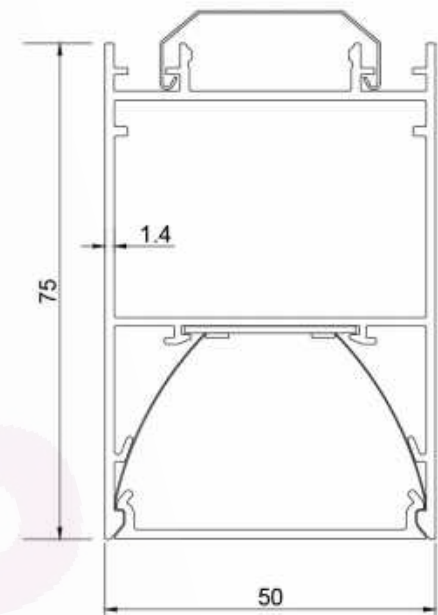


FEATURES

- Up to 100 lm/w, CRI>80 or CRI>90.
- UV-resistance PMMA diffuser.
- High Quality extrusion 1.4mm 6063 aluminum profile.
- No screw design with end cap.
- 0-10V/1-10V;Dali;Traic dimming are available.
- Emergency back up and sensor optional also available.
- Various installation suspending, surface and wall mounted.
- Brand BOKE driver with 5 years warranty.

DIMENSIONS

Length	Width	Height
4ft/47"/1200mm	1.97"/50mm	2.95"/75mm
5ft/59"/1500mm	1.97"/50mm	2.95"/75mm
6ft/71"/1800mm	1.97"/50mm	2.95"/75mm
8ft/94"/2400mm	1.97"/50mm	2.95"/75mm



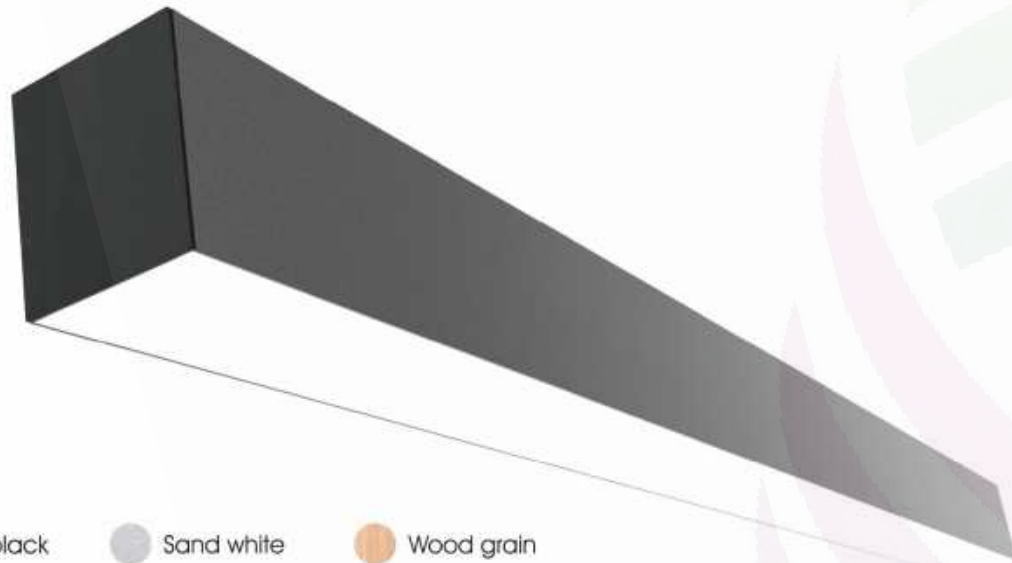
SPECIFICATION

Model	Power	Luminous	Efficacy	CCT	Input Voltage	PF	Beam Angle
DB-OP5075-xx	30W	3000 lm	100lm/w	3000K/4000K/5000K	AC180-264V /110-277V	>0.9	110°
DB-OP5075-xx	40W	4000 lm	100lm/w	3000K/4000K/5000K	AC180-264V /110-277V	>0.9	110°
DB-OP5075-xx	50W	5000 lm	100lm/w	3000K/4000K/5000K	AC180-264V /110-277V	>0.9	110°
DB-OP5075-xx	60W	6000 lm	100lm/w	3000K/4000K/5000K	AC180-264V /110-277V	>0.9	110°



Brighten your life

LED LINEAR LIGHT SERIES



Colour:

- Sand black
- Sand white
- Wood grain
- Matte black
- Matte white
- Silver



DIRECT LED LINEAR

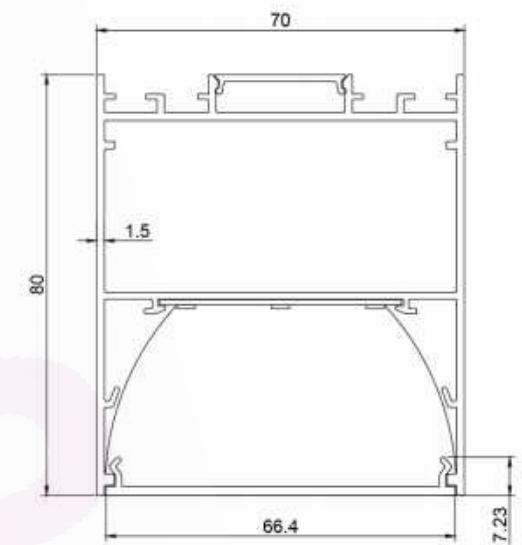


FEATURES

- Up to 100 lm/w, CRI>80 or CRI>90.
- UV-resistance PMMA diffuser.
- High Quality extrusion 1.5mm 6063 aluminum profile.
- No screw design with end cap.
- 0-10V/1-10V;Dali;Traic dimming are available.
- Emergency back up and sensor optional also available.
- Various installation suspending, surface and wall mounted.
- Brand BOKE driver with 5 years warranty.

DIMENSIONS

Length	Width	Height
4ft/47"/1200mm	2.76"/70mm	3.15"/80mm
5ft/59"/1500mm	2.76"/70mm	3.15"/80mm
6ft/71"/1800mm	2.76"/70mm	3.15"/80mm
8ft/94"/2400mm	2.76"/70mm	3.15"/80mm



SPECIFICATION

Model	Power	Luminous	Efficary	CCT	Input Voltage	PF	Beam Angle
DB-OP7080-xx	30W	3000 lm	100 lm/w	3000K/4000K/5000K	AC180-264V /110-277V	>0.9	110°
DB-OP7080-xx	40W	4000 lm	100 lm/w	3000K/4000K/5000K	AC180-264V /110-277V	>0.9	110°
DB-OP7080-xx	50W	5000 lm	100 lm/w	3000K/4000K/5000K	AC180-264V /110-277V	>0.9	110°
DB-OP7080-xx	60W	6000 lm	100 lm/w	3000K/4000K/5000K	AC180-264V /110-277V	>0.9	110°

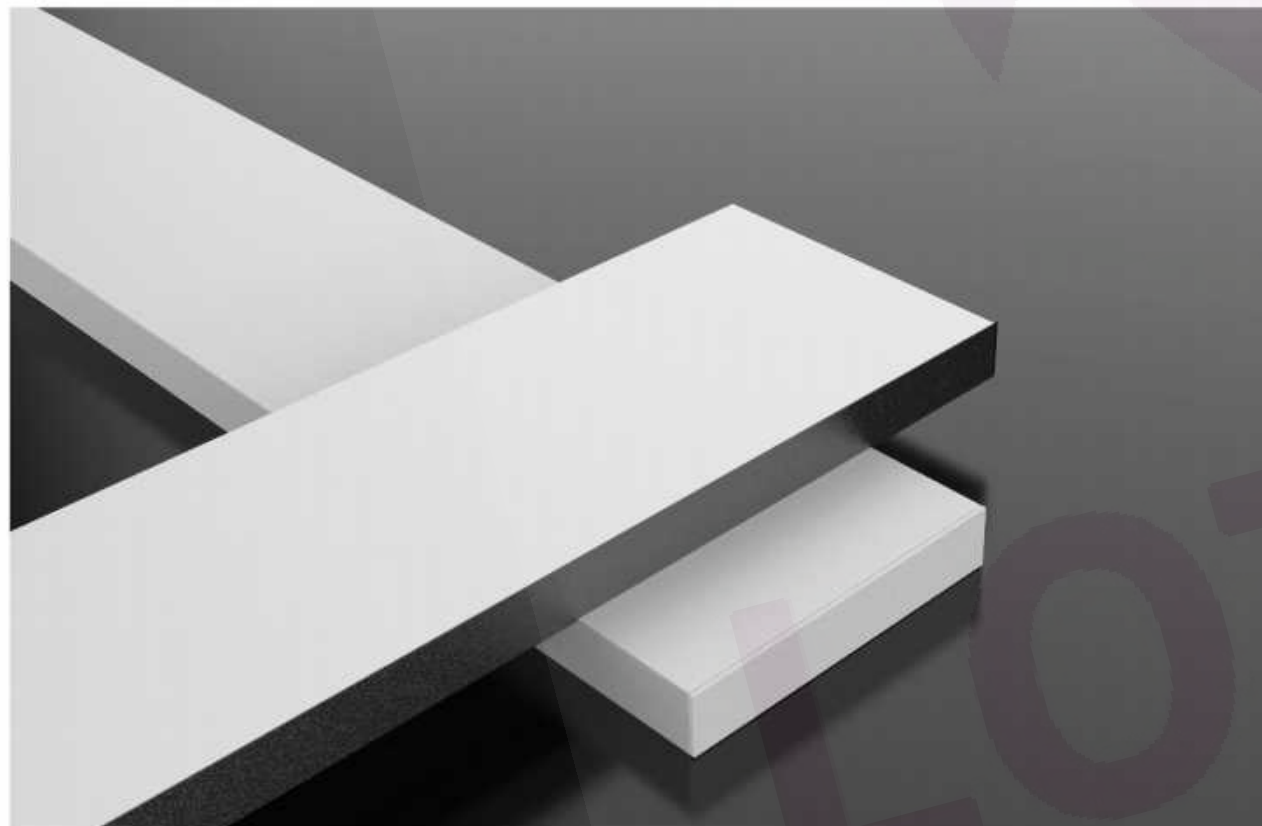
Brighten your life

LED LINEAR LIGHT SERIES



Colour:

- Sand black
- Sand white
- Wood grain
- Matte black
- Matte white
- Silver



DIRECT LED LINEAR



FEATURES

- Up to 120 lm/w, CRI>80 or CRI>90.
- UV-resistance PMMA diffuser.
- High Quality extrusion 2mm 6063 aluminum profile.
- No screw design with end cap.
- 0-10V/1-10V;Dali;Traic dimming are available.
- Emergency back up and sensor optional also available.
- Various installation suspending, surface and wall mounted.
- Brand BOKE driver with 5 years warranty.

DIMENSIONS

Length	Width	Height
4ft/47"/1200mm	7.87"/200mm	1.38"/35mm
5ft/59"/1500mm	7.87"/200mm	1.38"/35mm
6ft/71"/1800mm	7.87"/200mm	1.38"/35mm
8ft/94"/2400mm	7.87"/200mm	1.38"/35mm



SPECIFICATION

Model	Power	Luminous	Efficary	CCT	Input Voltage	PF	Beam Angle
DB-OP20035-xx	30W	3600 lm	100lm/w	3000K/4000K/5000K	AC180-264V /110-277V	>0.9	110°
DB-OP20035-xx	40W	4800 lm	100lm/w	3000K/4000K/5000K	AC180-264V /110-277V	>0.9	110°
DB-OP20035-xx	50W	6000 lm	100lm/w	3000K/4000K/5000K	AC180-264V /110-277V	>0.9	110°
DB-OP20035-xx	60W	7200 lm	100lm/w	3000K/4000K/5000K	AC180-264V /110-277V	>0.9	110°

Brighten your life

LED LINEAR LIGHT SERIES



Colour:

- Sand black
- Sand white
- Wood grain
- Matte black
- Matte white
- Silver



DIRECT LED LINEAR

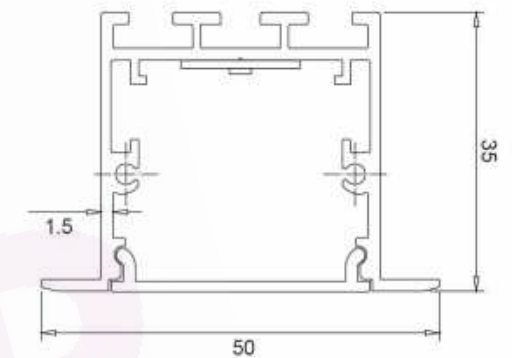


FEATURES

- Up to 100 lm/w, CRI>80 or CRI>90.
- UV-resistance PMMA diffuser.
- High Quality extrusion 1.5mm 6063 aluminum profile.
- No screw design with end cap.
- 0-10V/1-10V;Dali;Traic dimming are available.
- Emergency back up and sensor optional also available.
- Easy Recessed Installation.
- Brand BOKE driver with 5 years warranty.

DIMENSIONS

Length	Width	Height
4ft/47"/1200mm	1.97"/50mm	1.38"/35mm
5ft/59"/1500mm	1.97"/50mm	1.38"/35mm
6ft/71"/1800mm	1.97"/50mm	1.38"/35mm
8ft/94"/2400mm	1.97"/50mm	1.38"/35mm



SPECIFICATION

Model	Power	Luminous	Efficary	CCT	Input Voltage	PF	Beam Angle
DB-OP5035-xx	30W	3000 lm	100 lm/w	3000K/4000K/5000K	AC180-264V /110-277V	>0.9	110°
DB-OP5035-xx	40W	4000 lm	100 lm/w	3000K/4000K/5000K	AC180-264V /110-277V	>0.9	110°
DB-OP5035-xx	50W	5000 lm	100 lm/w	3000K/4000K/5000K	AC180-264V /110-277V	>0.9	110°
DB-OP5035-xx	60W	6000 lm	100 lm/w	3000K/4000K/5000K	AC180-264V /110-277V	>0.9	110°



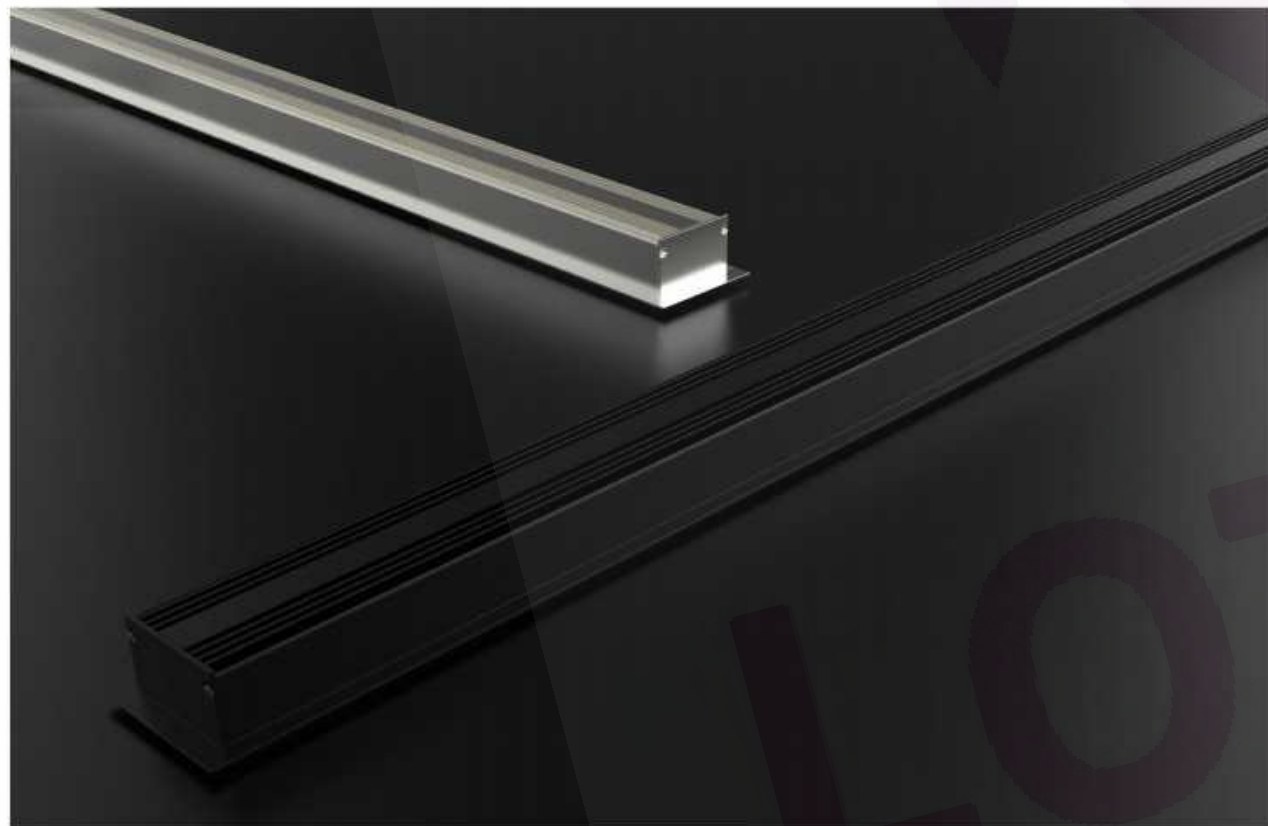
Brighten your life

LED LINEAR LIGHT SERIES



Colour:

- Sand black
- Sand white
- Wood grain
- Matte black
- Matte white
- Silver



DIRECT LED LINEAR

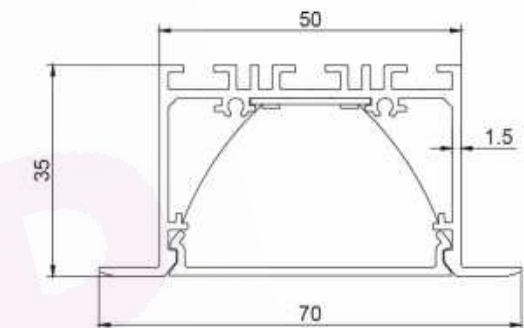


FEATURES

- Up to 100 lm/w, CRI>80 or CRI>90.
- UV-resistance PMMA diffuser.
- High Quality extruded 1.5mm 6063 aluminum profile.
- No screw design with end cap.
- 0-10V/1-10V;Dali;Traic dimming are available.
- Emergency back up and sensor optional also available.
- Easy Recessed Installation.
- Brand BOKE driver with 5 years warranty.

DIMENSIONS

Length	Width	Height
4ft/47"/1200mm	2.76"/70mm	1.38"/35mm
5ft/59"/1500mm	2.76"/70mm	1.38"/35mm
6ft/71"/1800mm	2.76"/70mm	1.38"/35mm
8ft/94"/2400mm	2.76"/70mm	1.38"/35mm



SPECIFICATION

Model	Power	Luminous	Efficacy	CCT	Input Voltage	PF	Beam Angle
DB-OP7035-xx	30W	3000 lm	100 lm/w	3000K/4000K/5000K	AC180-264V /110-277V	>0.9	110°
DB-OP7035-xx	40W	4000 lm	100 lm/w	3000K/4000K/5000K	AC180-264V /110-277V	>0.9	110°
DB-OP7035-xx	50W	5000 lm	100 lm/w	3000K/4000K/5000K	AC180-264V /110-277V	>0.9	110°
DB-OP7035-xx	60W	6000 lm	100 lm/w	3000K/4000K/5000K	AC180-264V /110-277V	>0.9	110°

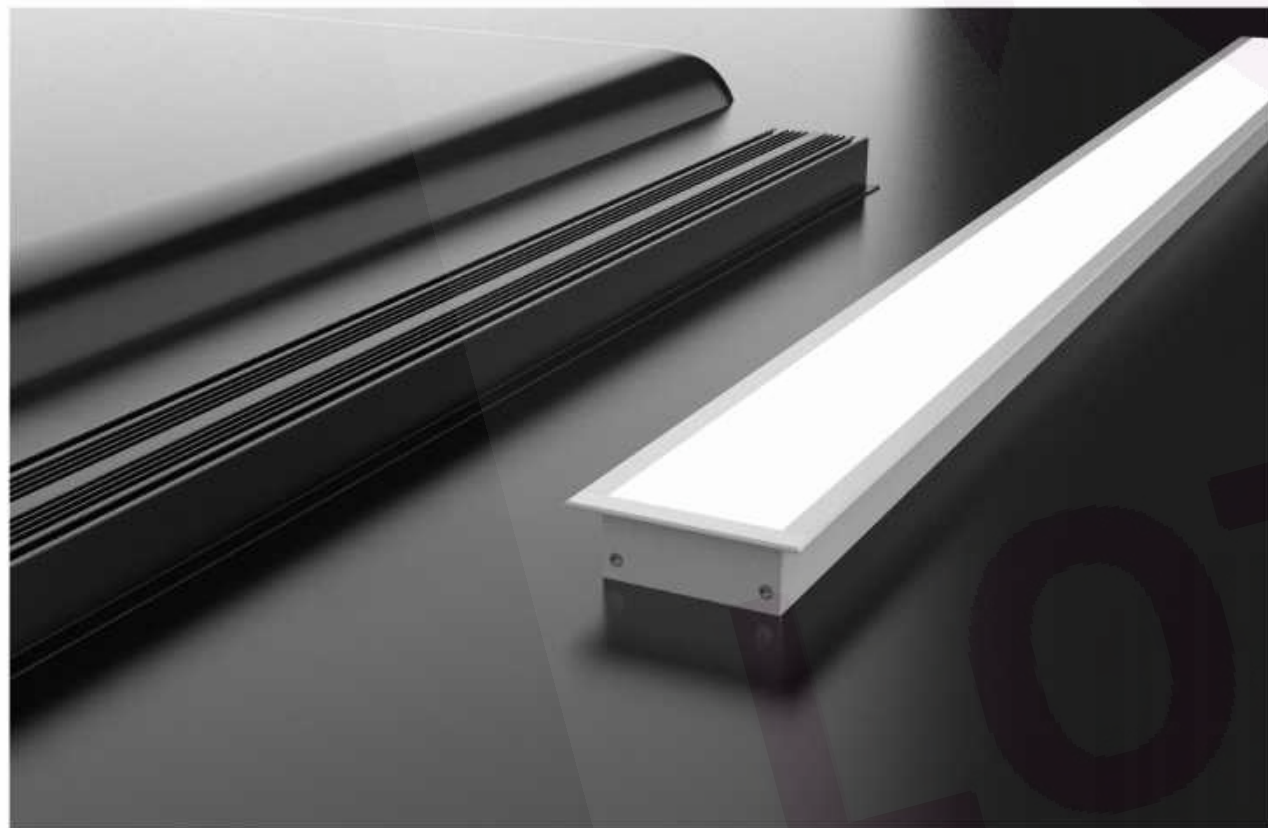
Brighten your life

LED LINEAR LIGHT SERIES



Colour:

- Sand black
- Sand white
- Wood grain
- Matte black
- Matte white
- Silver



DIRECT LED LINEAR

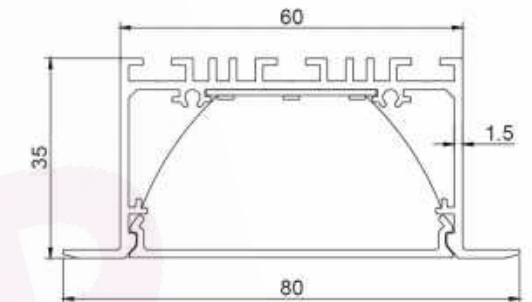


FEATURES

- Up to 100 lm/w, CRI>80 or CRI>90.
- UV-resistance PMMA diffuser.
- High Quality extruded 1.5mm 6063 aluminum profile.
- No screw design with end cap.
- 0-10V/1-10V;Dali;Traic dimming are available.
- Emergency back up and sensor optional also available.
- Easy Recessed Installation.
- Brand BOKE driver with 5 years warranty.

DIMENSIONS

Length	Width	Height
4ft/47"/1200mm	3.15"/80mm	1.38"/35mm
5ft/59"/1500mm	3.15"/80mm	1.38"/35mm
6ft/71"/1800mm	3.15"/80mm	1.38"/35mm
8ft/94"/2400mm	3.15"/80mm	1.38"/35mm



SPECIFICATION

Model	Power	Luminous	Efficary	CCT	IInput Voltage	PF	Beam Angle
DB-OP8035-xx	30W	3000 lm	100 lm/w	3000K/4000K/5000K	AC180-264V /110-277V	>0.9	110°
DB-OP8035-xx	40W	4000 lm	100 lm/w	3000K/4000K/5000K	AC180-264V /110-277V	>0.9	110°
DB-OP8035-xx	50W	5000 lm	100 lm/w	3000K/4000K/5000K	AC180-264V /110-277V	>0.9	110°
DB-OP8035-xx	60W	6000 lm	100 lm/w	3000K/4000K/5000K	AC180-264V /110-277V	>0.9	110°



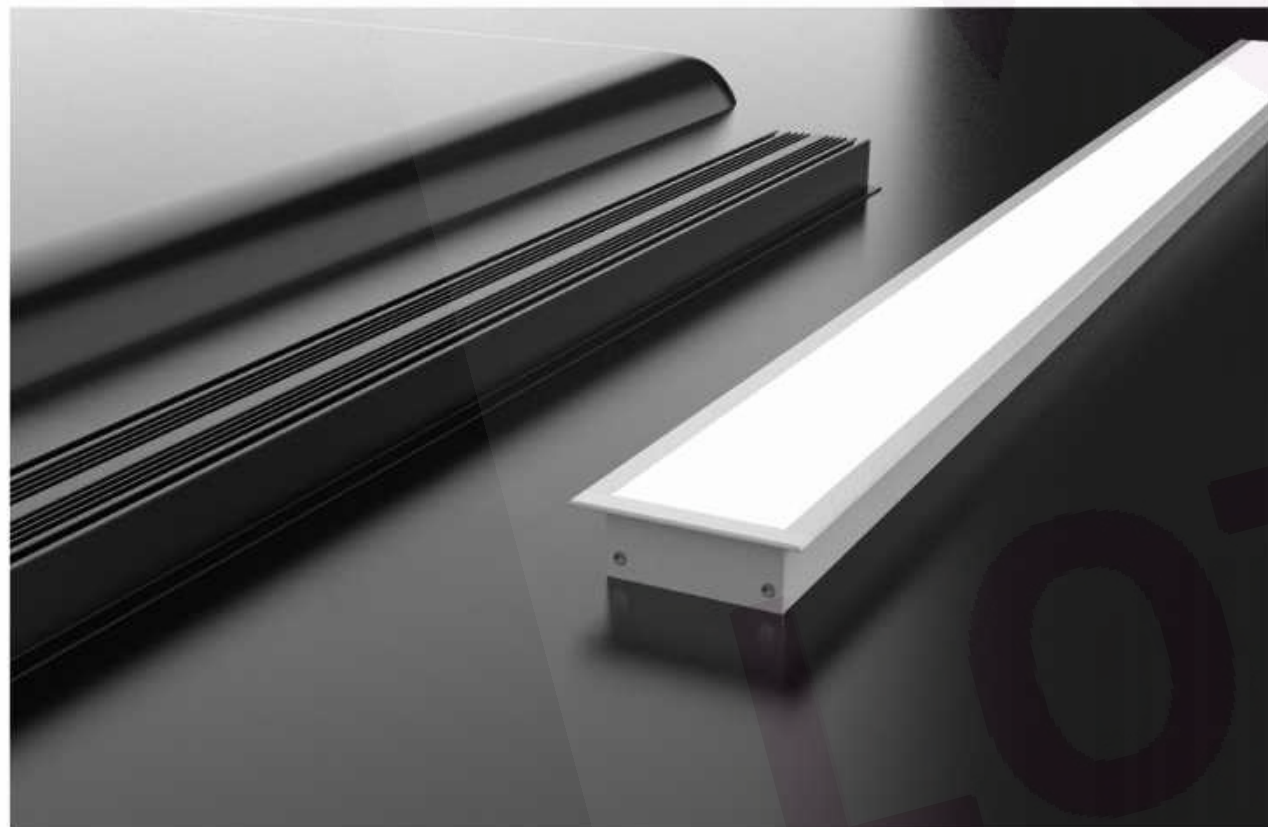
Brighten your life

LED LINEAR LIGHT SERIES



Colour:

- Sand black
- Sand white
- Wood grain
- Matte black
- Matte white
- Silver



DIRECT LED LINEAR

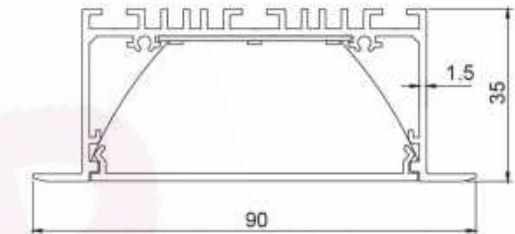


FEATURES

- Up to 100 lm/w, CRI>80 or CRI>90.
- UV-resistance PMMA diffuser.
- High Quality extruded 1.5mm 6063 aluminum profile.
- No screw design with end cap.
- 0-10V/1-10V;Dali;Traic dimming are available.
- Emergency back up and sensor optional also available.
- Easy Recessed Installation.
- Brand BOKE driver with 5 years warranty.

DIMENSIONS

Length	Width	Height
4ft/47"/1200mm	3.54"/90mm	1.38"/35mm
5ft/59"/1500mm	3.54"/90mm	1.38"/35mm
6ft/71"/1800mm	3.54"/90mm	1.38"/35mm
8ft/94"/2400mm	3.54"/90mm	1.38"/35mm



SPECIFICATION

Model	Power	Luminous	Efficary	CCT	Input Voltage	PF	Beam Angle
DB-OP9035-xx	30W	3000 lm	100 lm/w	3000K/4000K/5000K	AC180-264V /110-277V	>0.9	110°
DB-OP9035-xx	40W	4000 lm	100 lm/w	3000K/4000K/5000K	AC180-264V /110-277V	>0.9	110°
DB-OP9035-xx	50W	5000 lm	100 lm/w	3000K/4000K/5000K	AC180-264V /110-277V	>0.9	110°
DB-OP9035-xx	60W	6000 lm	100 lm/w	3000K/4000K/5000K	AC180-264V /110-277V	>0.9	110°



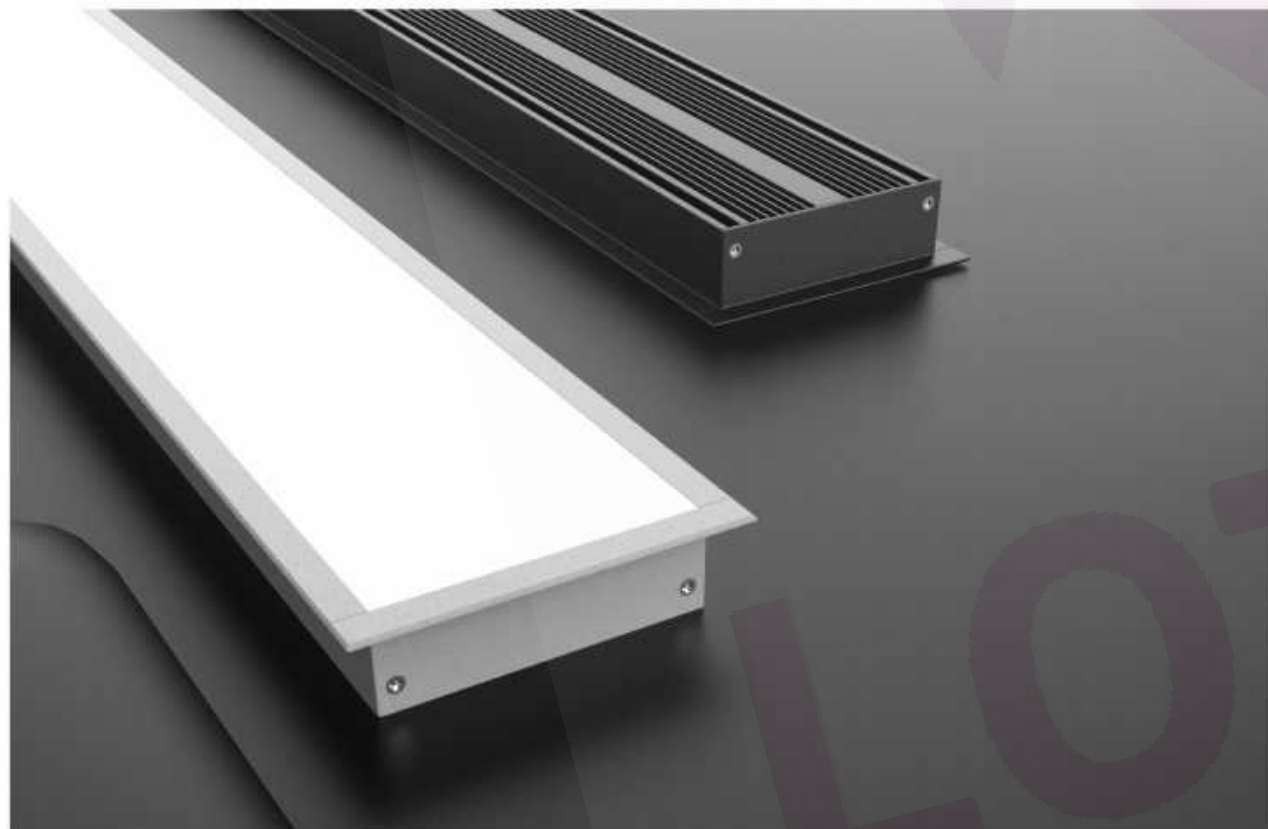
Brighten your life

LED LINEAR LIGHT SERIES



Colour:

- Sand black
- Sand white
- Wood grain
- Matte black
- Matte white
- Silver



DIRECT LED LINEAR

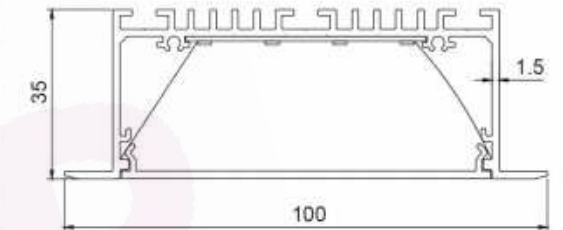


FEATURES

- Up to 100 lm/w, CRI>80 or CRI>90.
- UV-resistance PMMA diffuser.
- High Quality extruded 1.5mm 6063 aluminum profile.
- No screw design with end cap.
- 0-10V/1-10V;Dali;Traic dimming are available.
- Emergency back up and sensor optional also available.
- Easy Recessed Installation.
- Brand BOKE driver with 5 years warranty.

DIMENSIONS

Length	Width	Height
4ft/47"/1200mm	3.94"/100mm	1.38"/35mm
5ft/59"/1500mm	3.94"/100mm	1.38"/35mm
6ft/71"/1800mm	3.94"/100mm	1.38"/35mm
8ft/94"/2400mm	3.94"/100mm	1.38"/35mm



SPECIFICATION

Model	Power	Luminous	Efficacy	CCT	Input Voltage	PF	Beam Angle
DB-OP10035-xx	30W	3000 lm	100 lm/w	3000K/4000K/5000K	AC180-264V /110-277V	>0.9	110°
DB-OP10035-xx	40W	4000 lm	100 lm/w	3000K/4000K/5000K	AC180-264V /110-277V	>0.9	110°
DB-OP10035-xx	50W	5000 lm	100 lm/w	3000K/4000K/5000K	AC180-264V /110-277V	>0.9	110°
DB-OP10035-xx	60W	6000 lm	100 lm/w	3000K/4000K/5000K	AC180-264V /110-277V	>0.9	110°



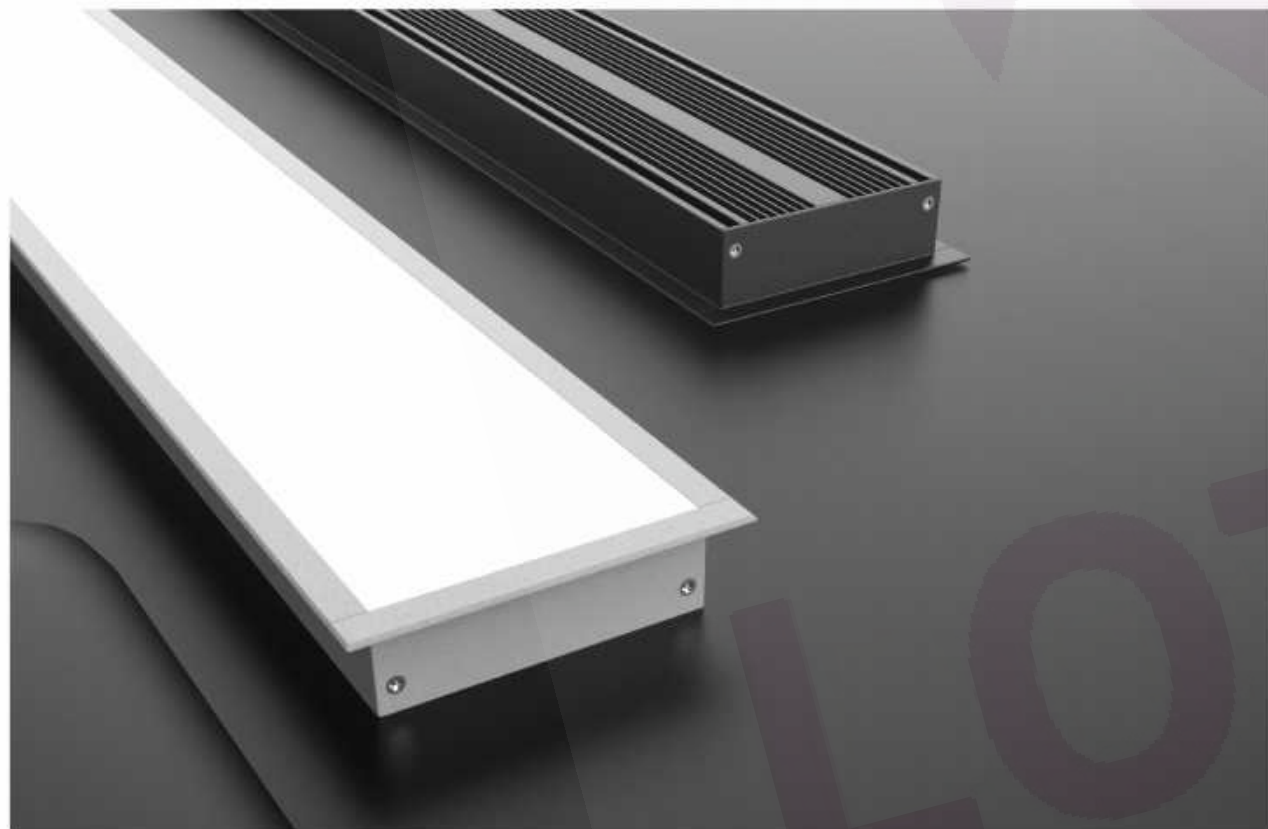
Brighten your life

LED LINEAR LIGHT SERIES



Colour:

- Sand black
- Sand white
- Wood grain
- Matte black
- Matte white
- Silver



DIRECT LED LINEAR

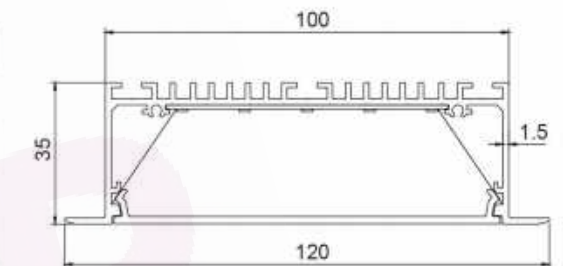


FEATURES

- Up to 100 lm/w, CRI>80 or CRI>90.
- UV-resistance PMMA diffuser.
- High Quality extruded 1.5mm 6063 aluminum profile.
- No screw design with end cap.
- 0-10V/1-10V;Dali;Traic dimming are available.
- Emergency back up and sensor optional also available.
- Easy Recessed Installation.
- Brand BOKE driver with 5 years warranty.

DIMENSIONS

Length	Width	Height
4ft/47"/1200mm	4.72"/120mm	1.38"/35mm
5ft/59"/1500mm	4.72"/120mm	1.38"/35mm
6ft/71"/1800mm	4.72"/120mm	1.38"/35mm
8ft/94"/2400mm	4.72"/120mm	1.38"/35mm



SPECIFICATION

Model	Power	Luminous	Efficary	CCT	Input Voltage	PF	Beam Angle
DB-OP12035-xx	30W	3000 lm	100 lm/w	3000K/4000K/5000K	AC180-264V /110-277V	>0.9	110°
DB-OP12035-xx	40W	4000 lm	100 lm/w	3000K/4000K/5000K	AC180-264V /110-277V	>0.9	110°
DB-OP12035-xx	50W	5000 lm	100 lm/w	3000K/4000K/5000K	AC180-264V /110-277V	>0.9	110°
DB-OP12035-xx	60W	6000 lm	100 lm/w	3000K/4000K/5000K	AC180-264V /110-277V	>0.9	110°



Brighten your life

PMMA ROUND SERIES

CIRCULAR LED LINEAR



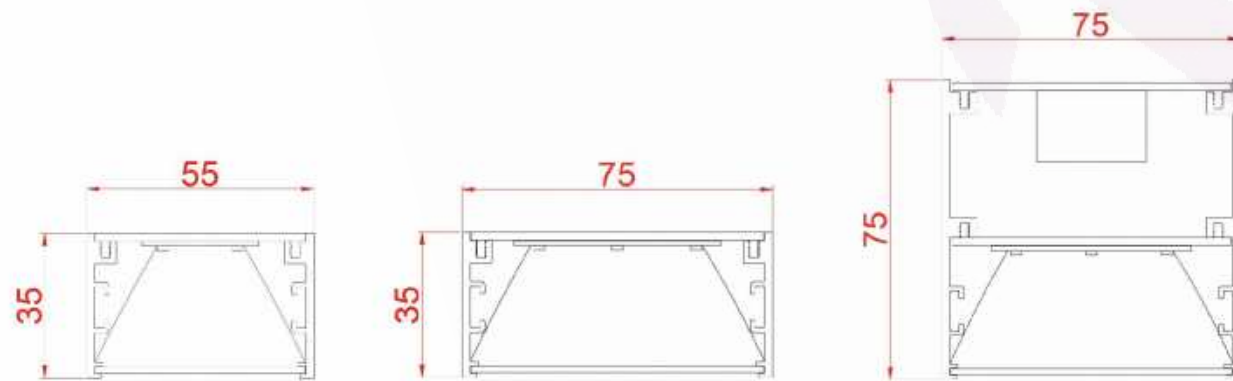
FEATURES

- Ring-shaped pendant LED luminaire.
- Profile detachable design structure.
- Opal PMMA diffuser.
- 0-10V/1-10V;Dali;Traic dimming are available.
- Different custom diameter & colour available.



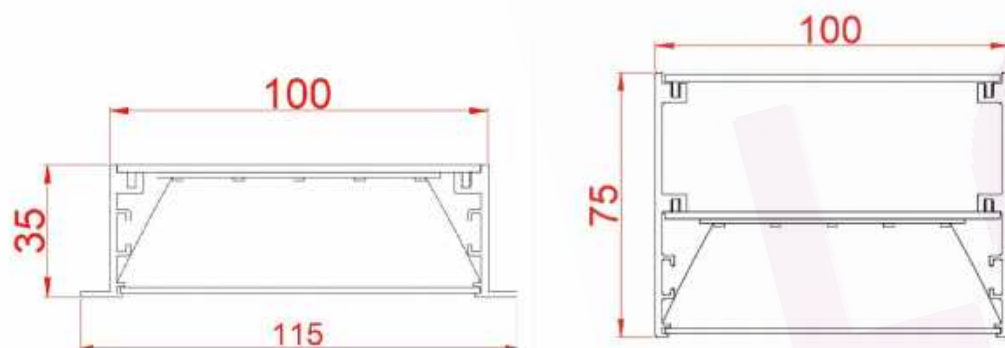
Colour:

- Sand black ● Sand white ● Wood grain
- Matte black ● Matte white ● Silver



DIMENSIONS

Diameter	Width	Height
Ø600 mm	35/55/75/100 mm	35/75mm
Ø900 mm	35/55/75/100 mm	35/75mm
Ø1200 mm	35/55/75/100 mm	35/75mm
Ø1500 mm	35/55/75/100 mm	35/75mm
Ø2000 mm	35/55/75/100 mm	35/75mm
Customized	Customized	Customized



SPECIFICATION

Model	Power	Efficacy	CCT	Input Voltage	PF	Beam Angle
DB-OPxx-Ø600	25-30 W/M	90 lm/w	3000K/4000K/5000K	AC180-264V /110-277V	>0.9	110°
DB-OPxx-Ø900	25-30 W/M	90 lm/w	3000K/4000K/5000K	AC180-264V /110-277V	>0.9	110°
DB-OPxx-Ø1200	25-30 W/M	90 lm/w	3000K/4000K/5000K	AC180-264V /110-277V	>0.9	110°
DB-OPxx-Ø1500	25-30 W/M	90 lm/w	3000K/4000K/5000K	AC180-264V /110-277V	>0.9	110°
DB-OPxx-Ø2000	25-30 W/M	90 lm/w	3000K/4000K/5000K	AC180-264V /110-277V	>0.9	110°

Brighten your life

PMMA CURVED SERIES

CURVED RECTANGLE LED LINEAR



FEATURES

- Rounded Rectangular pendant LED luminaire.
- Profile detachable design structure.
- Opal PMMA diffuser.
- 0-10V/1-10V;Dali;Traic dimming are available.
- Different custom diameter & colour available.



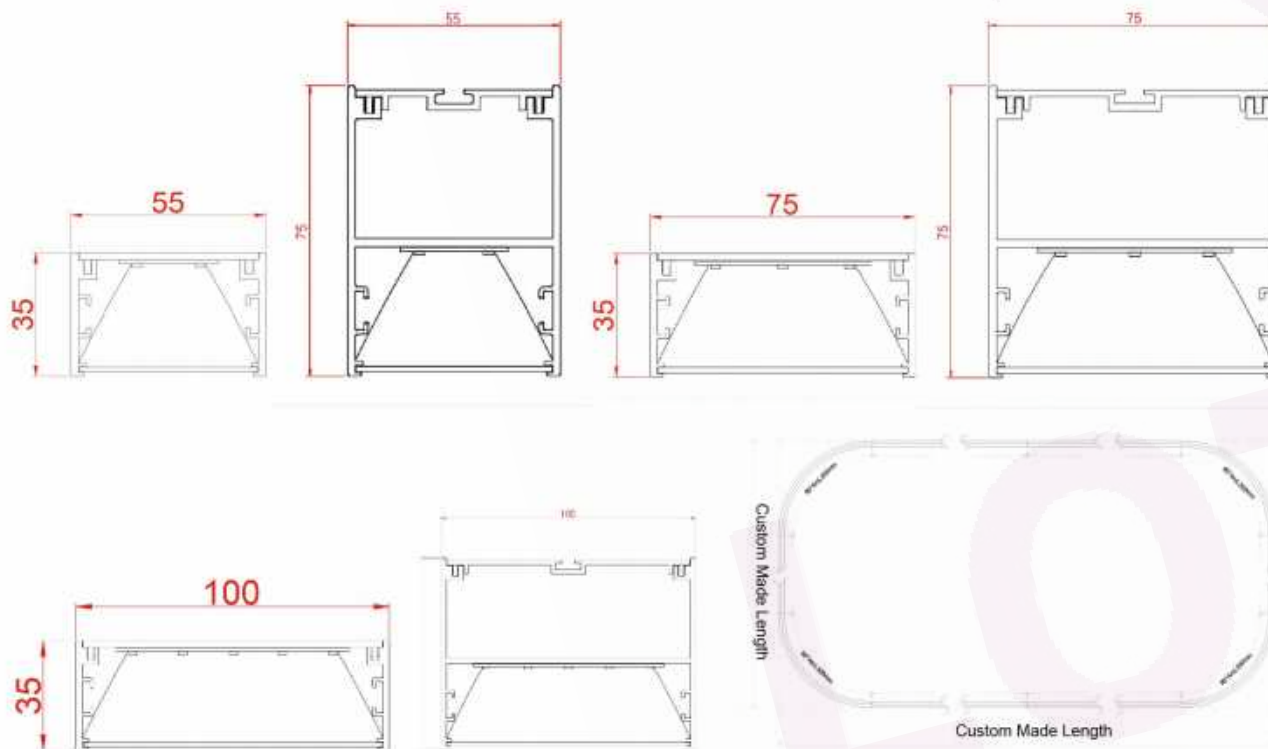
DIMENSIONS

Straight Line Length	90° Arc Length	Width	Height
1200 mm	300 mm	35/55/75/100 mm	35/75 mm
1500 mm	300 mm	35/55/75/100 mm	35/75 mm
1800 mm	300 mm	35/55/75/100 mm	35/75 mm
2100 mm	300 mm	35/55/75/100 mm	35/75 mm
2400 mm	300 mm	35/55/75/100 mm	35/75 mm
Customized	Customized	Customized	Customized



SPECIFICATION

Model	Power	Efficacy	CCT	Input Voltage	PF	Beam Angle
DB-OPxx-1200	25-30 W/M	90 lm/w	3000K/4000K/5000K	AC180-264V /110-277V	>0.9	110°
DB-OPxx-1500	25-30 W/M	90 lm/w	3000K/4000K/5000K	AC180-264V /110-277V	>0.9	110°
DB-OPxx-1800	25-30 W/M	90 lm/w	3000K/4000K/5000K	AC180-264V /110-277V	>0.9	110°
DB-OPxx-2100	25-30 W/M	90 lm/w	3000K/4000K/5000K	AC180-264V /110-277V	>0.9	110°
DB-OPxx-2400	25-30 W/M	90 lm/w	3000K/4000K/5000K	AC180-264V /110-277V	>0.9	110°



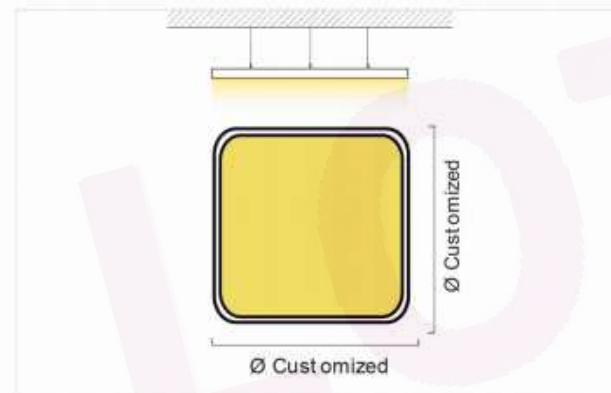
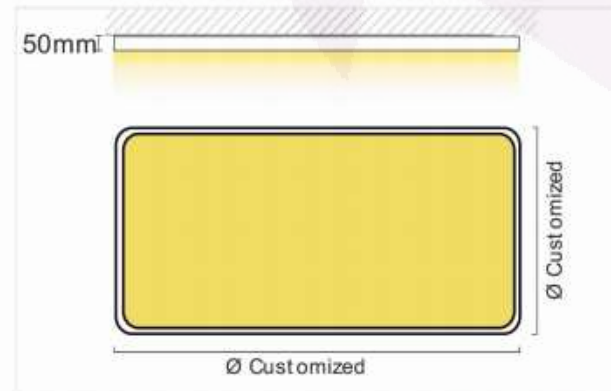
Brighten your life

LED LINEAR RECTANGLE SERIES



Colour:

- Sand black
- Sand white
- Wood grain
- Matte black
- Matte white
- Silver



DIRECT LED SQUARE & RECTANGLE

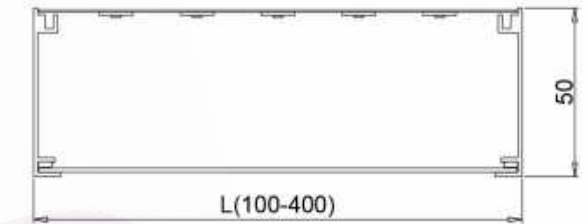


FEATURES

- Square Rectangle surface or pendant LED luminaire.
- High Quality extruded 6063 aluminum profile.
- Opal PMMA diffuser.
- Emergency back up and sensor optional also available.
- Brand BOKE driver with 5 years warranty.
- 0-10V/1-10V;Dali;Traic dimming are available.
- Different Custom Diameter & Colour available.

DIMENSIONS

Diameter	Width	Height
Φ4ft/Φ47"/Φ1200mm	100/150/200/300mm	50mm
Φ5ft/Φ59"/Φ1500mm	100/150/200/300mm	50mm
Φ6ft/Φ71"/Φ1800mm	100/150/200/300mm	50mm
Φ6.6ft/Φ79"/Φ2000mm	100/150/200/300mm	50mm
Customized	Customized	50mm



SPECIFICATION

Model	Power	Efficacy	CCT	Input Voltage	PF	Beam Angle
DB-OPxx-Φ1200	25-30 W/M	90 lm/w	3000K/4000K/5000K	AC180-264V /110-277V	>0.9	110°
DB-OPxx-Φ1500	25-30 W/M	90 lm/w	3000K/4000K/5000K	AC180-264V /110-277V	>0.9	110°
DB-OPxx-Φ1800	25-30 W/M	90 lm/w	3000K/4000K/5000K	AC180-264V /110-277V	>0.9	110°
DB-OPxx-Φ2000	25-30 W/M	90 lm/w	3000K/4000K/5000K	AC180-264V /110-277V	>0.9	110°



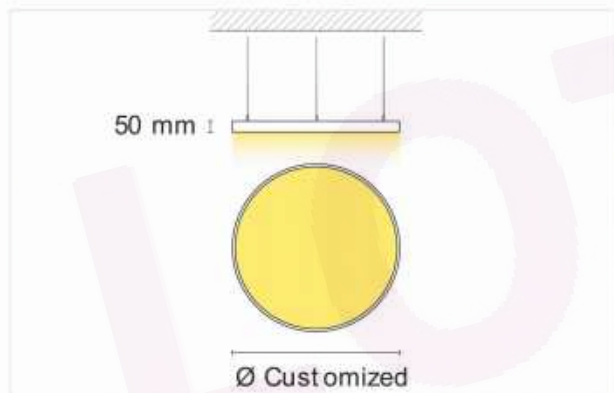
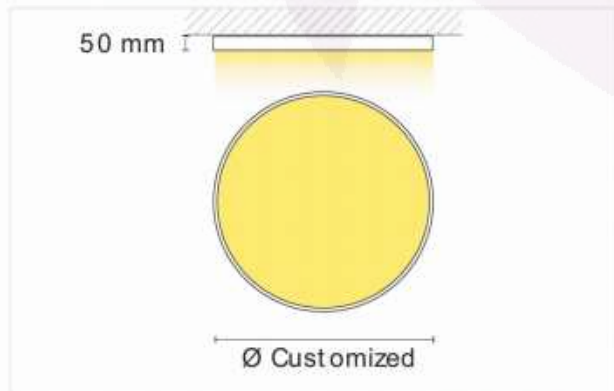
Brighten your life, www.tracklinearlight.com

LED LINEAR ROUND SERIES



Colour:

- Sand black
- Sand white
- Wood grain
- Matte black
- Matte white
- Silver



DIRECT LED CIRCULAR

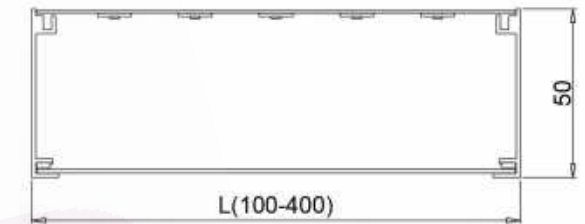


FEATURES

- Circular surface or pendant LED luminaire.
- High Quality extruded 6063 aluminum profile.
- Opal PMMA diffuser.
- Emergency back up and sensor optional also available.
- Brand BOKE driver with 5 years warranty.
- 0-10V/1-10V;Dali;Traic dimming are available.
- Different Custom Diameter & Colour available.

DIMENSIONS

Diameter	Height
Φ1.6ft/Φ20"/Φ500mm	50mm
Φ2ft/Φ24"/Φ600mm	50mm
Φ2.6ft/Φ31"/Φ800mm	50mm
Φ4ft/Φ47"/Φ1200mm	50mm
Customized	50mm



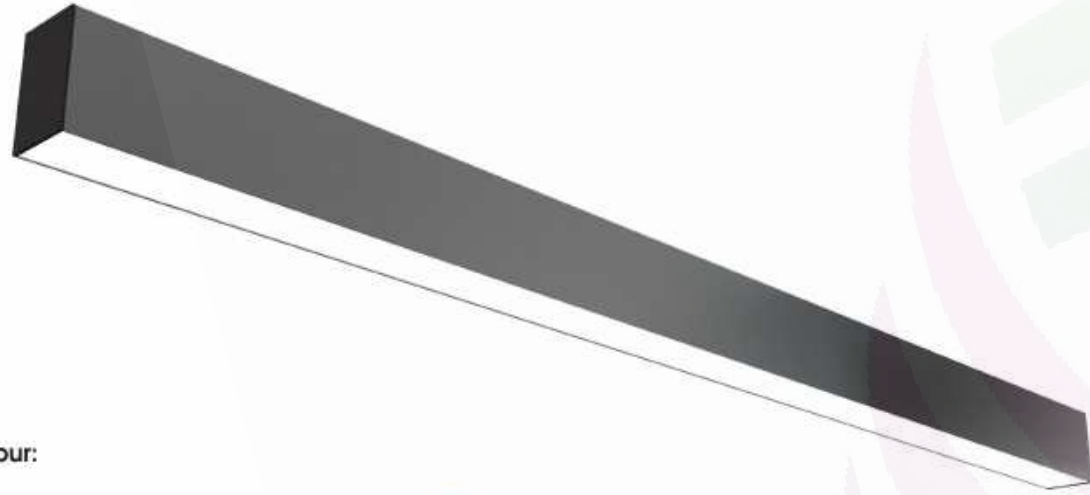
SPECIFICATION

Model	Power	Efficacy	CCT	Input Voltage	PF	Beam Angle
DB-OPxx-Φ500	25-30 W/M	90 lm/w	3000K/4000K/5000K	AC180-264V /110-277V	>0.9	110°
DB-OPxx-Φ600	25-30 W/M	90 lm/w	3000K/4000K/5000K	AC180-264V /110-277V	>0.9	110°
DB-OPxx-Φ800	25-30 W/M	90 lm/w	3000K/4000K/5000K	AC180-264V /110-277V	>0.9	110°
DB-OPxx-Φ1200	25-30 W/M	90 lm/w	3000K/4000K/5000K	AC180-264V /110-277V	>0.9	110°



Brighten your life, www.tracklinearligh.com

LED LINEAR ECONOMIC SERIES



Colour:

- Sand black
- Sand white
- Wood grain
- Matte black
- Matte white
- Silver



DIRECT LED LINEAR

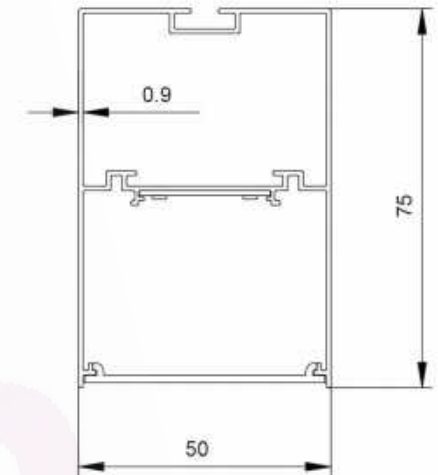


FEATURES

- Up to 100 lm/w, CRI>80 or CRI>90.
- High-quality extrusion 0.9mm 6063 aluminum profile.
- No screw design with end cap.
- 0-10V/1-10V;Dali;Traic dimming are available.
- Emergency back up and sensor optional also available.
- Brand BOKE driver with 5 years warranty.

DIMENSIONS

Length	Width	Height
4ft/47"/1200mm	1.97"/50mm	2.95"/75mm
5ft/59"/1500mm	1.97"/50mm	2.95"/75mm
6ft/71"/1800mm	1.97"/50mm	2.95"/75mm
8ft/94"/2400mm	1.97"/50mm	2.95"/75mm



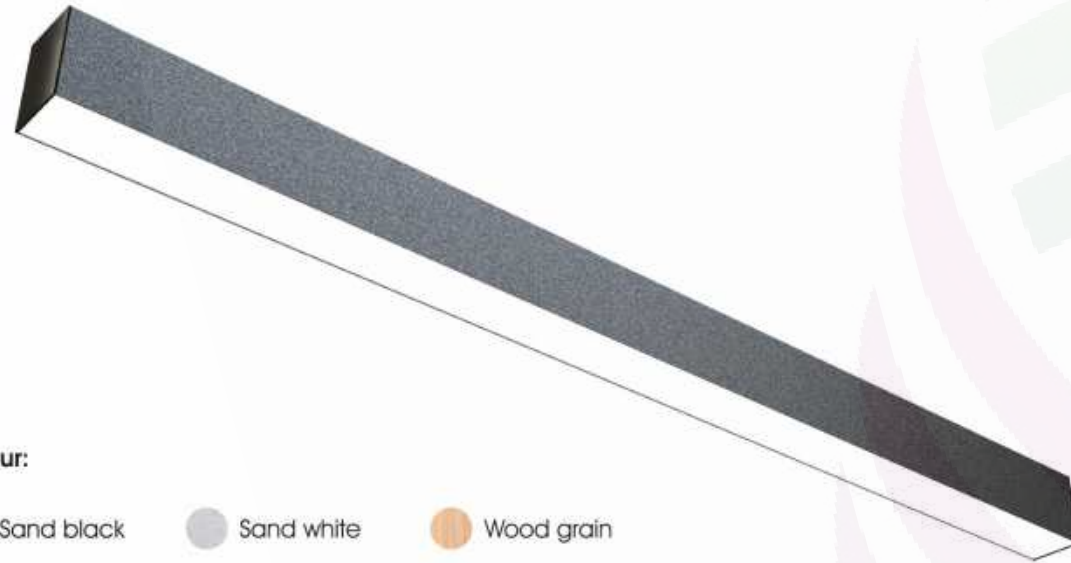
SPECIFICATION

Model	Power	Luminous	Efficacy	CCT	Input Voltage	PF	Beam Angle
DB-OP5075A-xx	20W	2000 lm	100 lm/w	3000K/4000K/5000K	AC180-264V /110-277V	>0.9	110°
DB-OP5075A-xx	30W	3000 lm	100 lm/w	3000K/4000K/5000K	AC180-264V /110-277V	>0.9	110°
DB-OP5075A-xx	40W	4000 lm	100 lm/w	3000K/4000K/5000K	AC180-264V /110-277V	>0.9	110°
DB-OP5075A-xx	50W	5000 lm	100 lm/w	3000K/4000K/5000K	AC180-264V /110-277V	>0.9	110°
DB-OP5075A-xx	60W	6000 lm	100 lm/w	3000K/4000K/5000K	AC180-264V /110-277V	>0.9	110°

Brighten your life

LED LINEAR ECONOMIC SERIES

DIRECT LED LINEAR

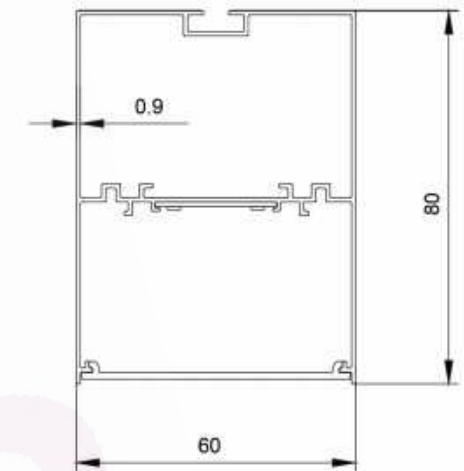


FEATURES

- Up to 100 lm/w, CRI>80 or CRI>90.
- High-quality extrusion 0.9mm 6063 aluminum profile.
- No screw design with end cap.
- 0-10V/1-10V;Dali;Traic dimming are available.
- Emergency back up and sensor optional also available.
- Brand BOKE driver with 5 years warranty.

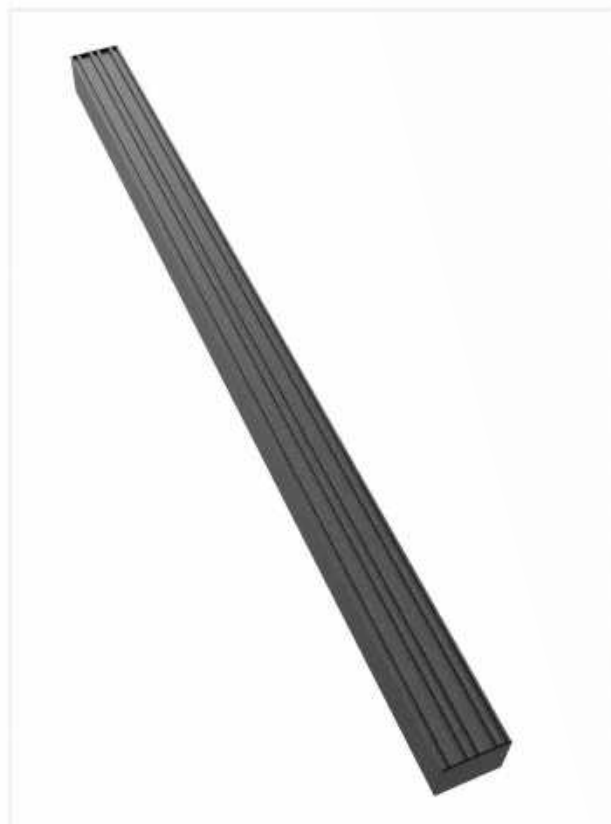
DIMENSIONS

Length	Width	Height
4ft/47"/1200mm	2.36"/60mm	3.15"/80mm
5ft/59"/1500mm	2.36"/60mm	3.15"/80mm
6ft/71"/1800mm	2.36"/60mm	3.15"/80mm
8ft/94"/2400mm	2.36"/60mm	3.15"/80mm



Colour:

- Sand black
- Sand white
- Wood grain
- Matte black
- Matte white
- Silver



SPECIFICATION

Model	Power	Luminous	Efficacy	CCT	Input Voltage	PF	Beam Angle
DB-OP6080A-xx	20W	2000 lm	100 lm/w	3000K/4000K/5000K	AC180-264V /110-277V	>0.9	110°
DB-OP6080A-xx	30W	3000 lm	100 lm/w	3000K/4000K/5000K	AC180-264V /110-277V	>0.9	110°
DB-OP6080A-xx	40W	4000 lm	100 lm/w	3000K/4000K/5000K	AC180-264V /110-277V	>0.9	110°
DB-OP6080A-xx	50W	5000 lm	100 lm/w	3000K/4000K/5000K	AC180-264V /110-277V	>0.9	110°
DB-OP6080A-xx	60W	6000 lm	100 lm/w	3000K/4000K/5000K	AC180-264V /110-277V	>0.9	110°



Brighten your life

LED LINEAR ECONOMIC SERIES

DIRECT LED LINEAR

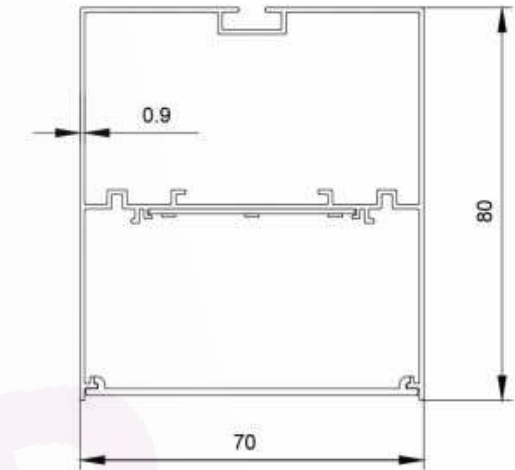


FEATURES

- Up to 100 lm/w, CRI>80 or CRI>90.
- High-quality extrusion 0.9mm 6063 aluminum profile.
- No screw design with end cap.
- 0-10V/1-10V;Dali;Traic dimming are available.
- Emergency back up and sensor optional also available.
- Brand BOKE driver with 5 years warranty.

DIMENSIONS

Length	Width	Height
4ft/47"/1200mm	2.76"/70mm	3.15"/80mm
5ft/59"/1500mm	2.76"/70mm	3.15"/80mm
6ft/71"/1800mm	2.76"/70mm	3.15"/80mm
8ft/94"/2400mm	2.76"/70mm	3.15"/80mm



Colour:

- Sand black
- Sand white
- Wood grain
- Matte black
- Matte white
- Silver



SPECIFICATION

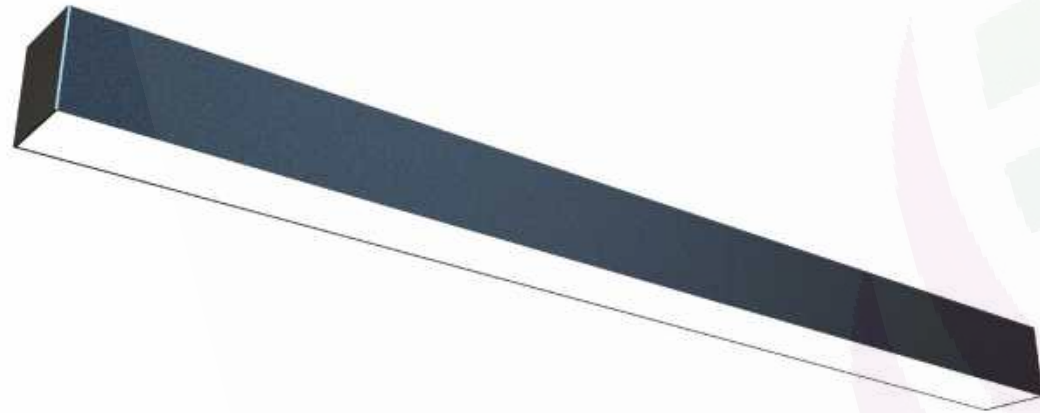
Model	Power	Luminous	Efficacy	CCT	Input Voltage	PF	Beam Angle
DB-OP7080A-xx	20W	2000 lm	100 lm/w	3000K/4000K/5000K	AC180-264V /110-277V	>0.9	110°
DB-OP7080A-xx	30W	3000 lm	100 lm/w	3000K/4000K/5000K	AC180-264V /110-277V	>0.9	110°
DB-OP7080A-xx	40W	4000 lm	100 lm/w	3000K/4000K/5000K	AC180-264V /110-277V	>0.9	110°
DB-OP7080A-xx	50W	5000 lm	100 lm/w	3000K/4000K/5000K	AC180-264V /110-277V	>0.9	110°
DB-OP7080A-xx	60W	6000 lm	100 lm/w	3000K/4000K/5000K	AC180-264V /110-277V	>0.9	110°



Brighten your life

LED LINEAR ECONOMIC SERIES

DIRECT LED LINEAR



FEATURES

- Up to 100 lm/w, CRI>80 or CRI>90.
- High-quality extrusion 0.9mm 6063 aluminum profile.
- No screw design with end cap.
- 0-10V/1-10V;Dali;Traic dimming are available.
- Emergency back up and sensor optional also available.
- Brand BOKE driver with 5 years warranty.

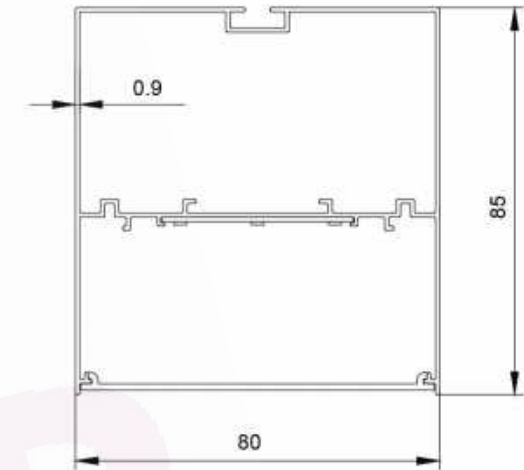


Colour:

- Sand black
- Sand white
- Wood grain
- Matte black
- Matte white
- Silver

DIMENSIONS

Length	Width	Height
4ft/47"/1200mm	3.15"/80mm	3.35"/85mm
5ft/59"/1500mm	3.15"/80mm	3.35"/85mm
6ft/71"/1800mm	3.15"/80mm	3.35"/85mm
8ft/94"/2400mm	3.15"/80mm	3.35"/85mm



SPECIFICATION

Model	Power	Luminous	Efficacy	CCT	Input Voltage	PF	Beam Angle
DB-OP8085A-xx	20W	2000 lm	100 lm/w	3000K/4000K/5000K	AC180-264V /110-277V	>0.9	110°
DB-OP8085A-xx	30W	3000 lm	100 lm/w	3000K/4000K/5000K	AC180-264V /110-277V	>0.9	110°
DB-OP8085A-xx	40W	4000 lm	100 lm/w	3000K/4000K/5000K	AC180-264V /110-277V	>0.9	110°
DB-OP8085A-xx	50W	5000 lm	100 lm/w	3000K/4000K/5000K	AC180-264V /110-277V	>0.9	110°
DB-OP8085A-xx	60W	6000 lm	100 lm/w	3000K/4000K/5000K	AC180-264V /110-277V	>0.9	110°



Brighten your life

LED LINEAR ECONOMIC SERIES

DIRECT LED LINEAR

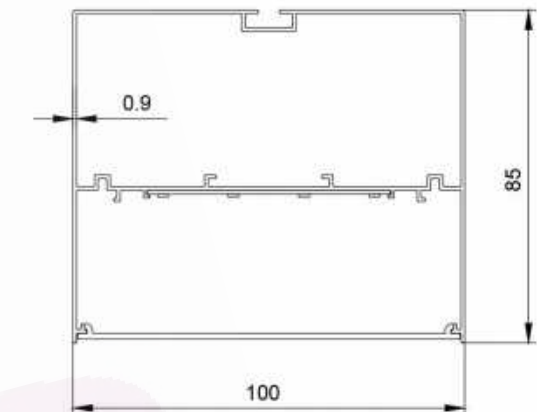


FEATURES

- Up to 100 lm/w, CRI>80 or CRI>90.
- High-quality extrusion 0.9mm 6063 aluminum profile.
- No screw design with end cap.
- 0-10V/1-10V;Dali;Traic dimming are available.
- Emergency back up and sensor optional also available.
- Brand BOKE driver with 5 years warranty.

DIMENSIONS

Length	Width	Height
4ft/47"/1200mm	3.94"/100mm	3.35"/85mm
5ft/59"/1500mm	3.94"/100mm	3.35"/85mm
6ft/71"/1800mm	3.94"/100mm	3.35"/85mm
8ft/94"/2400mm	3.94"/100mm	3.35"/85mm



Colour:

- Sand black
- Sand white
- Wood grain
- Matte black
- Matte white
- Silver



SPECIFICATION

Model	Power	Luminous	Efficacy	CCT	Input Voltage	PF	Beam Angle
DB-OP10085A-xx	20W	2000 lm	100 lm/w	3000K/4000K/5000K	AC180-264V /110-277V	>0.9	110°
DB-OP10085A-xx	30W	3000 lm	100 lm/w	3000K/4000K/5000K	AC180-264V /110-277V	>0.9	110°
DB-OP10085A-xx	40W	4000 lm	100 lm/w	3000K/4000K/5000K	AC180-264V /110-277V	>0.9	110°
DB-OP10085A-xx	50W	5000 lm	100 lm/w	3000K/4000K/5000K	AC180-264V /110-277V	>0.9	110°
DB-OP10085A-xx	60W	6000 lm	100 lm/w	3000K/4000K/5000K	AC180-264V /110-277V	>0.9	110°



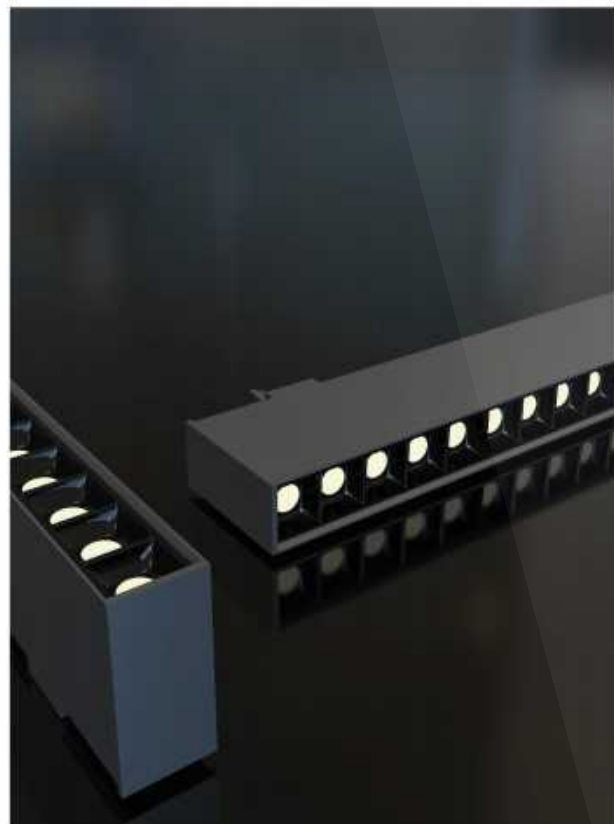
Brighten your life

LED LINEAR NORMAL SERIES



Colour:

- Sand black
- Sand white
- Wood grain
- Matte black
- Matte white
- Silver



DIRECT LED LINEAR

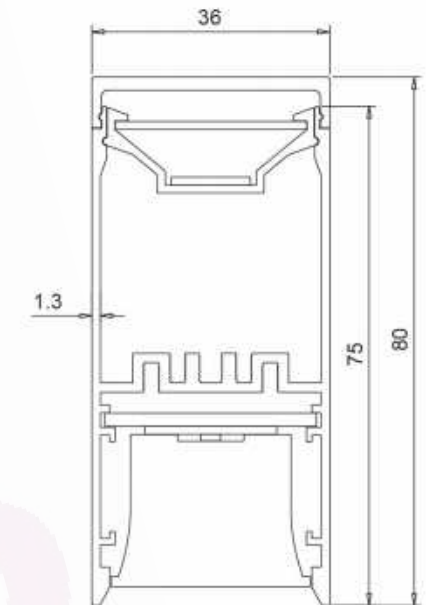


FEATURES

- Up to 100 lm/w, CRI>80 or CRI>90.
- High-quality extrusion 1.3mm 6063 aluminum profile.
- No screw design with end cap.
- 0-10V/1-10V;Dali;Traic dimming are available.
- Emergency back up and sensor optional also available.
- Brand BOKE driver with 5 years warranty.

DIMENSIONS

Length	Width	Height
4ft/47"/1200mm	1.42"/36mm	2.95"/75mm
5ft/59"/1500mm	1.42"/36mm	2.95"/75mm
6ft/71"/1800mm	1.42"/36mm	2.95"/75mm
8ft/94"/2400mm	1.42"/36mm	2.95"/75mm



SPECIFICATION

Model	Power	Luminous	Efficacy	CCT	Input Voltage	PF	Beam Angle
DB-OP3675-xx	20W	2000 lm	100 lm/w	3000K/4000K/5000K	AC180-264V /110-277V	>0.9	110°
DB-OP3675-xx	30W	3000 lm	100 lm/w	3000K/4000K/5000K	AC180-264V /110-277V	>0.9	110°
DB-OP3675-xx	40W	4000 lm	100 lm/w	3000K/4000K/5000K	AC180-264V /110-277V	>0.9	110°
DB-OP3675-xx	50W	5000 lm	100 lm/w	3000K/4000K/5000K	AC180-264V /110-277V	>0.9	110°
DB-OP3675-xx	60W	6000 lm	100 lm/w	3000K/4000K/5000K	AC180-264V /110-277V	>0.9	110°

Brighten your life

LED LINEAR NORMAL SERIES



Colour:

- Sand black
- Sand white
- Wood grain
- Matte black
- Matte white
- Silver



DIRECT LED LINEAR

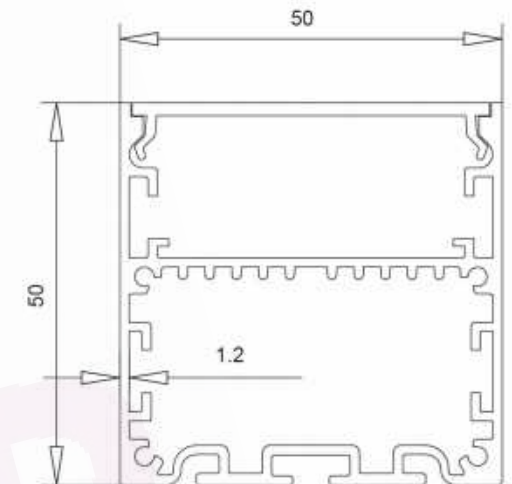


FEATURES

- Up to 100 lm/w, CRI>80 or CRI>90.
- High-quality extrusion 1.2mm 6063 aluminum profile.
- No screw design with end cap.
- 0-10V/1-10V;Dali;Traic dimming are available.
- Emergency back up and sensor optional also available.
- Brand BOKE driver with 5 years warranty.

DIMENSIONS

Length	Width	Height
4ft/47"/1200mm	1.97"/50mm	1.97"/50mm
5ft/59"/1500mm	1.97"/50mm	1.97"/50mm
6ft/71"/1800mm	1.97"/50mm	1.97"/50mm
8ft/94"/2400mm	1.97"/50mm	1.97"/50mm



SPECIFICATION

Model	Power	Luminous	Efficacy	CCT	Input Voltage	PF	Beam Angle
DB-OP5050-xx	20W	2000 lm	100 lm/w	3000K/4000K/5000K	AC180-264V /110-277V	>0.9	110°
DB-OP5050-xx	30W	3000 lm	100 lm/w	3000K/4000K/5000K	AC180-264V /110-277V	>0.9	110°
DB-OP5050-xx	40W	4000 lm	100 lm/w	3000K/4000K/5000K	AC180-264V /110-277V	>0.9	110°
DB-OP5050-xx	50W	5000 lm	100 lm/w	3000K/4000K/5000K	AC180-264V /110-277V	>0.9	110°
DB-OP5050-xx	60W	6000 lm	100 lm/w	3000K/4000K/5000K	AC180-264V /110-277V	>0.9	110°

Brighten your life

LED LINEAR NORMAL SERIES



Colour:

- Sand black
- Sand white
- Wood grain
- Matte black
- Matte white
- Silver



DIRECT LED LINEAR

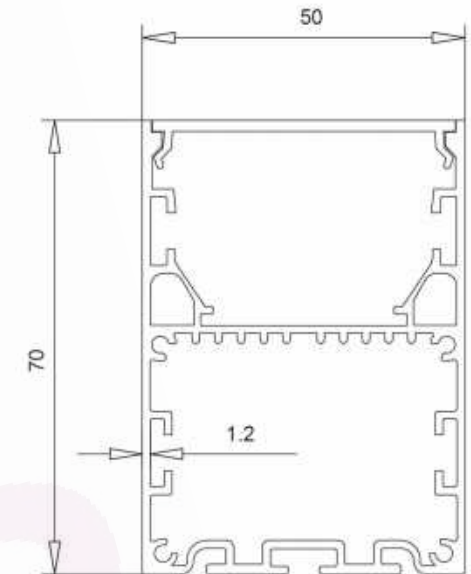


FEATURES

- Up to 100 lm/w, CRI>80 or CRI>90.
- High-quality extrusion 1.2mm 6063 aluminum profile.
- No screw design with end cap.
- 0-10V/1-10V;Dali;Traic dimming are available.
- Emergency back up and sensor optional also available.
- Brand BOKE driver with 5 years warranty.

DIMENSIONS

Length	Width	Height
4ft/47"/1200mm	1.97"/50mm	2.76"/70mm
5ft/59"/1500mm	1.97"/50mm	2.76"/70mm
6ft/71"/1800mm	1.97"/50mm	2.76"/70mm
8ft/94"/2400mm	1.97"/50mm	2.76"/70mm



SPECIFICATION

Model	Power	Luminous	Efficacy	CCT	Input Voltage	PF	Beam Angle
DB-OP5070-xx	20W	2000 lm	100 lm/w	3000K/4000K/5000K	AC180-264V /110-277V	>0.9	110°
DB-OP5070-xx	30W	3000 lm	100 lm/w	3000K/4000K/5000K	AC180-264V /110-277V	>0.9	110°
DB-OP5070-xx	40W	4000 lm	100 lm/w	3000K/4000K/5000K	AC180-264V /110-277V	>0.9	110°
DB-OP5070-xx	50W	5000 lm	100 lm/w	3000K/4000K/5000K	AC180-264V /110-277V	>0.9	110°
DB-OP5070-xx	60W	6000 lm	100 lm/w	3000K/4000K/5000K	AC180-264V /110-277V	>0.9	110°



Brighten your life

LED LINEAR NORMAL SERIES



Colour:

- Sand black
- Sand white
- Wood grain
- Matte black
- Matte white
- Silver



DIRECT LED LINEAR

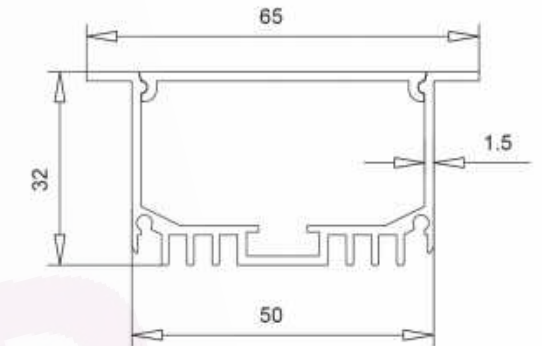


FEATURES

- Up to 100 lm/w, CRI>80 or CRI>90.
- High-quality extrusion 1.5m 6063 aluminum profile.
- No screw design with end cap.
- 0-10V/1-10V;Dali;Traic dimming are available.
- Emergency back up and sensor optional also available.
- Brand BOKE driver with 5 years warranty.

DIMENSIONS

Length	Width	Height
4ft/47"/1200mm	2.56"/65mm	1.26"/32mm
5ft/59"/1500mm	2.56"/65mm	1.26"/32mm
6ft/71"/1800mm	2.56"/65mm	1.26"/32mm
8ft/94"/2400mm	2.56"/65mm	1.26"/32mm



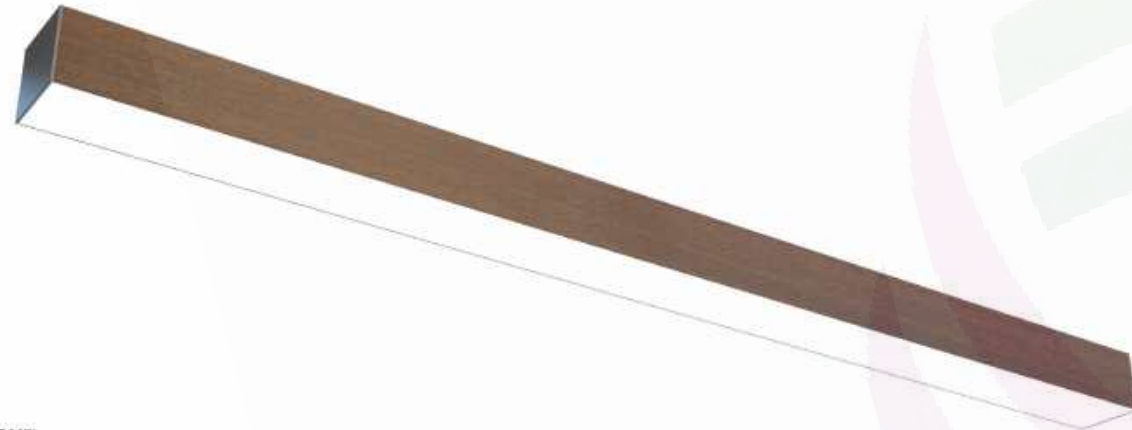
SPECIFICATION

Model	Power	Luminous	Efficacy	CCT	Input Voltage	PF	Beam Angle
DB-OP6532-xx	20W	2000 lm	100 lm/w	3000K/4000K/5000K	AC180-264V /110-277V	>0.9	110°
DB-OP6532-xx	30W	3000 lm	100 lm/w	3000K/4000K/5000K	AC180-264V /110-277V	>0.9	110°
DB-OP6532-xx	40W	4000 lm	100 lm/w	3000K/4000K/5000K	AC180-264V /110-277V	>0.9	110°
DB-OP6532-xx	50W	5000 lm	100 lm/w	3000K/4000K/5000K	AC180-264V /110-277V	>0.9	110°
DB-OP6532-xx	60W	6000 lm	100 lm/w	3000K/4000K/5000K	AC180-264V /110-277V	>0.9	110°



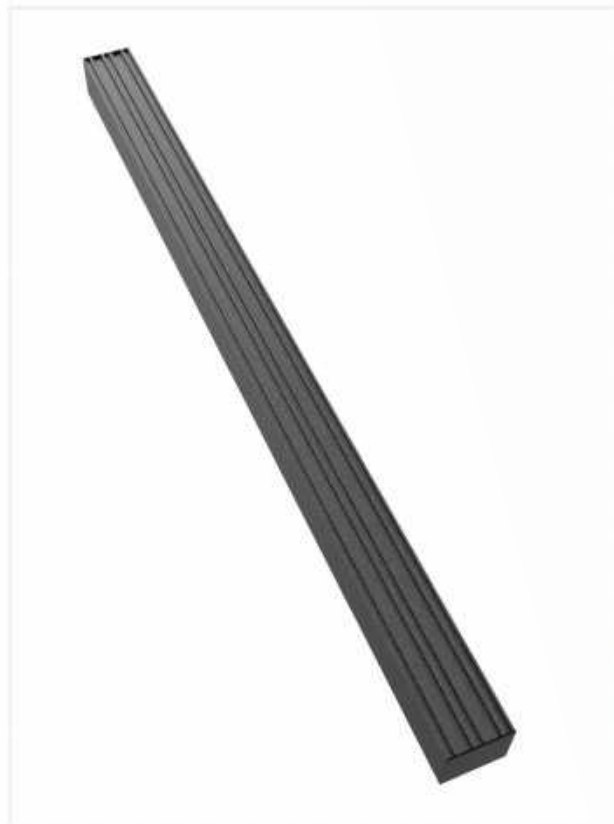
Brighten your life

LED LINEAR NORMAL SERIES



Colour:

- Sand black
- Sand white
- Wood grain
- Matte black
- Matte white
- Silver



DIRECT LED LINEAR

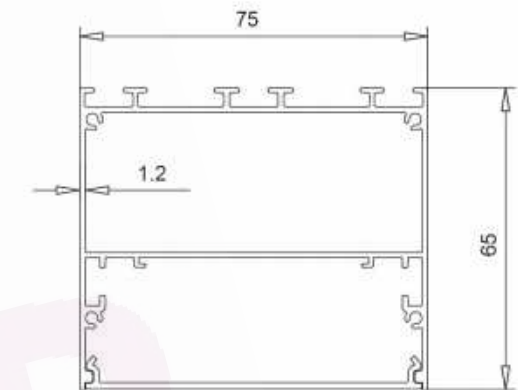


FEATURES

- Up to 100 lm/w, CRI>80 or CRI>90.
- High-quality extrusion 1.2mm 6063 aluminum profile.
- No screw design with end cap.
- 0-10V/1-10V;Dali;Traic dimming are available.
- Emergency back up and sensor optional also available.
- Brand BOKE driver with 5 years warranty.

DIMENSIONS

Length	Width	Height
4ft/47"/1200mm	2.95"/75mm	2.56"/65mm
5ft/59"/1500mm	2.95"/75mm	2.56"/65mm
6ft/71"/1800mm	2.95"/75mm	2.56"/65mm
8ft/94"/2400mm	2.95"/75mm	2.56"/65mm



SPECIFICATION

Model	Power	Luminous	Efficacy	CCT	Input Voltage	PF	Beam Angle
DB-OP7565-xx	20W	2000 lm	100 lm/w	3000K/4000K/5000K	AC180-264V /110-277V	>0.9	110°
DB-OP7565-xx	30W	3000 lm	100 lm/w	3000K/4000K/5000K	AC180-264V /110-277V	>0.9	110°
DB-OP7565-xx	40W	4000 lm	100 lm/w	3000K/4000K/5000K	AC180-264V /110-277V	>0.9	110°
DB-OP7565-xx	50W	5000 lm	100 lm/w	3000K/4000K/5000K	AC180-264V /110-277V	>0.9	110°
DB-OP7565-xx	60W	6000 lm	100 lm/w	3000K/4000K/5000K	AC180-264V /110-277V	>0.9	110°



Brighten your life

LED LINEAR NORMAL SERIES



Colour:

- Sand black
- Sand white
- Wood grain
- Matte black
- Matte white
- Silver



DIRECT LED LINEAR

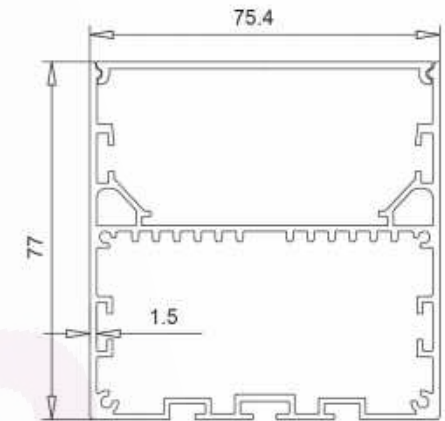


FEATURES

- Up to 100 lm/w, CRI>80 or CRI>90.
- High-quality extrusion 1.5mm 6063 aluminum profile.
- No screw design with end cap.
- 0-10V/1-10V;Dali;Traic dimming are available.
- Emergency back up and sensor optional also available.
- Brand BOKE driver with 5 years warranty.

DIMENSIONS

Length	Width	Height
4ft/47"/1200mm	2.95"/75mm	3.03"/77mm
5ft/59"/1500mm	2.95"/75mm	3.03"/77mm
6ft/71"/1800mm	2.95"/75mm	3.03"/77mm
8ft/94"/2400mm	2.95"/75mm	3.03"/77mm



SPECIFICATION

Model	Power	Luminous	Efficacy	CCT	Input Voltage	PF	Beam Angle
DB-OP7577-xx	20W	2000 lm	100 lm/w	3000K/4000K/5000K	AC180-264V /110-277V	>0.9	110°
DB-OP7577-xx	30W	3000 lm	100 lm/w	3000K/4000K/5000K	AC180-264V /110-277V	>0.9	110°
DB-OP7577-xx	40W	4000 lm	100 lm/w	3000K/4000K/5000K	AC180-264V /110-277V	>0.9	110°
DB-OP7577-xx	50W	5000 lm	100 lm/w	3000K/4000K/5000K	AC180-264V /110-277V	>0.9	110°
DB-OP7577-xx	60W	6000 lm	100 lm/w	3000K/4000K/5000K	AC180-264V /110-277V	>0.9	110°



Brighten your life

LED LINEAR NORMAL SERIES



Colour:

- Sand black
- Sand white
- Wood grain
- Matte black
- Matte white
- Silver



DIRECT LED LINEAR

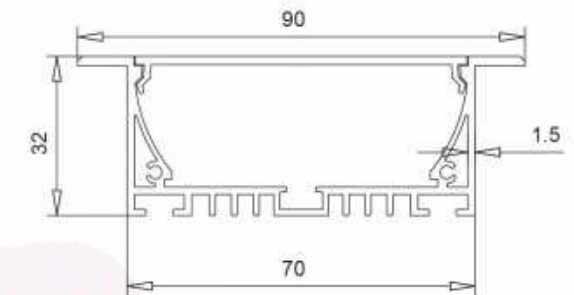


FEATURES

- Up to 100 lm/w, CRI>80 or CRI>90.
- High-quality extrusion 1.5mm 6063 aluminum profile.
- No screw design with end cap.
- 0-10V/1-10V;Dali;Traic dimming are available.
- Emergency back up and sensor optional also available.
- Brand BOKE driver with 5 years warranty.

DIMENSIONS

Length	Width	Height
4ft/47"/1200mm	3.54"/90mm	1.26"/32mm
5ft/59"/1500mm	3.54"/90mm	1.26"/32mm
6ft/71"/1800mm	3.54"/90mm	1.26"/32mm
8ft/94"/2400mm	3.54"/90mm	1.26"/32mm



SPECIFICATION

Model	Power	Luminous	Efficary	CCT	Input Voltage	PF	Beam Angle
DB-OP9032-xx	20W	2000 lm	100 lm/w	3000K/4000K/5000K	AC180-264V /110-277V	>0.9	110°
DB-OP9032-xx	30W	3000 lm	100 lm/w	3000K/4000K/5000K	AC180-264V /110-277V	>0.9	110°
DB-OP9032-xx	40W	4000 lm	100 lm/w	3000K/4000K/5000K	AC180-264V /110-277V	>0.9	110°
DB-OP9032-xx	50W	5000 lm	100 lm/w	3000K/4000K/5000K	AC180-264V /110-277V	>0.9	110°
DB-OP9032-xx	60W	6000 lm	100 lm/w	3000K/4000K/5000K	AC180-264V /110-277V	>0.9	110°



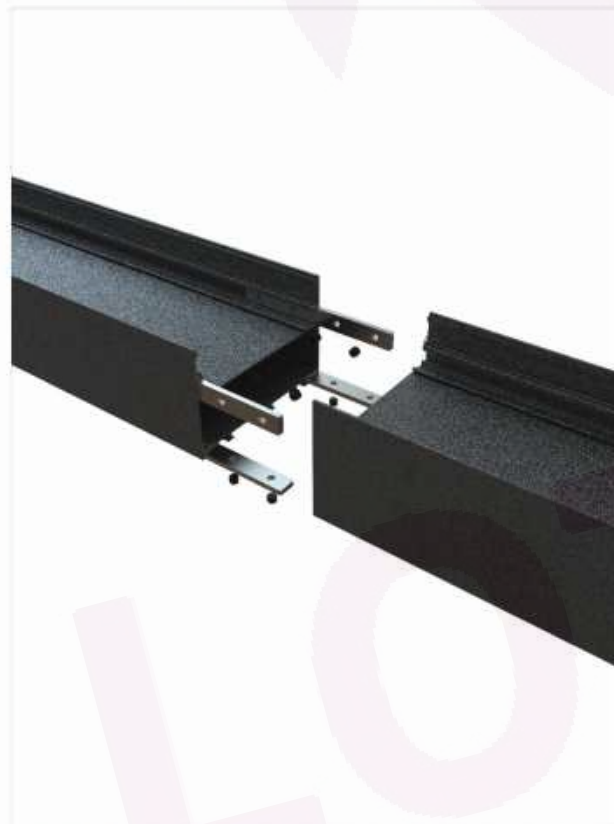
Brighten your life

LED LINEAR NORMAL SERIES



Colour:

- Sand black
- Sand white
- Wood grain
- Matte black
- Matte white
- Silver



DIRECT LED LINEAR

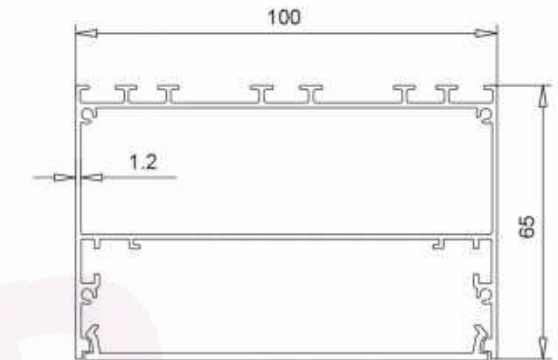


FEATURES

- Up to 100 lm/w, CRI>80 or CRI>90.
- High-quality extrusion 1.2mm 6063 aluminum profile.
- No screw design with end cap.
- 0-10V/1-10V;Dali;Traic dimming are available.
- Emergency back up and sensor optional also available.
- Brand BOKE driver with 5 years warranty.

DIMENSIONS

Length	Width	Height
4ft/47"/1200mm	3.94"/100mm	2.56"/65mm
5ft/59"/1500mm	3.94"/100mm	2.56"/65mm
6ft/71"/1800mm	3.94"/100mm	2.56"/65mm
8ft/94"/2400mm	3.94"/100mm	2.56"/65mm



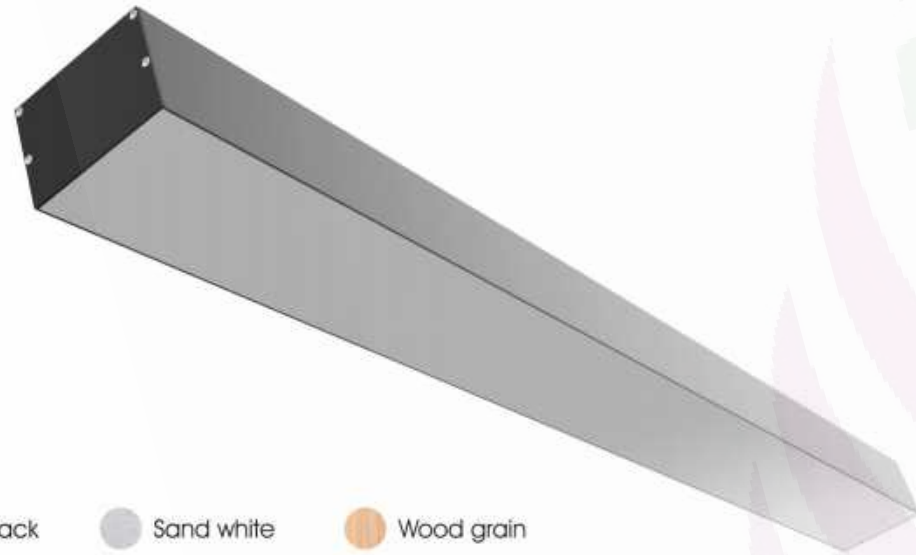
SPECIFICATION

Model	Power	Luminous	Efficacy	CCT	Input Voltage	PF	Beam Angle
DB-OP10065-xx	20W	2000 lm	100 lm/w	3000K/4000K/5000K	AC180-264V /110-277V	>0.9	110°
DB-OP10065-xx	30W	3000 lm	100 lm/w	3000K/4000K/5000K	AC180-264V /110-277V	>0.9	110°
DB-OP10065-xx	40W	4000 lm	100 lm/w	3000K/4000K/5000K	AC180-264V /110-277V	>0.9	110°
DB-OP10065-xx	50W	5000 lm	100 lm/w	3000K/4000K/5000K	AC180-264V /110-277V	>0.9	110°
DB-OP10065-xx	60W	6000 lm	100 lm/w	3000K/4000K/5000K	AC180-264V /110-277V	>0.9	110°



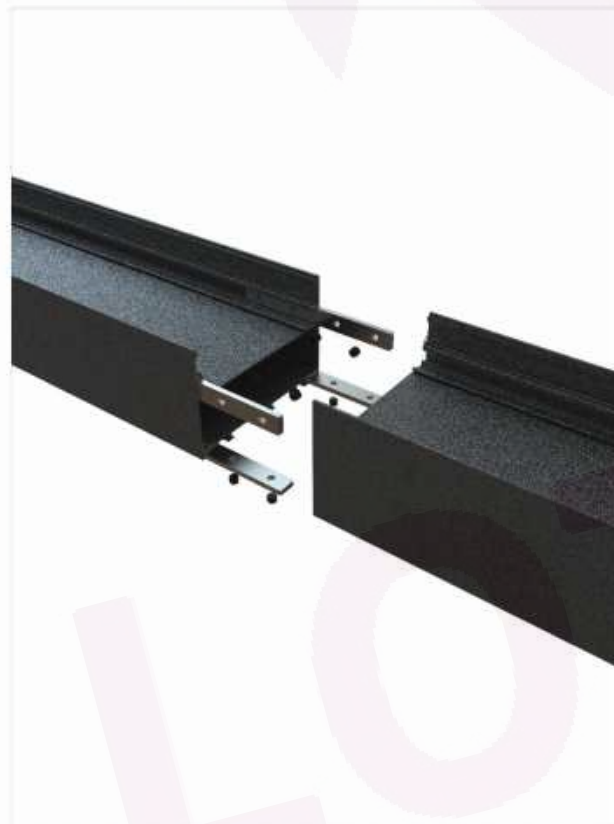
Brighten your life

LED LINEAR NORMAL SERIES



Colour:

- Sand black
- Sand white
- Wood grain
- Matte black
- Matte white
- Silver



DIRECT LED LINEAR

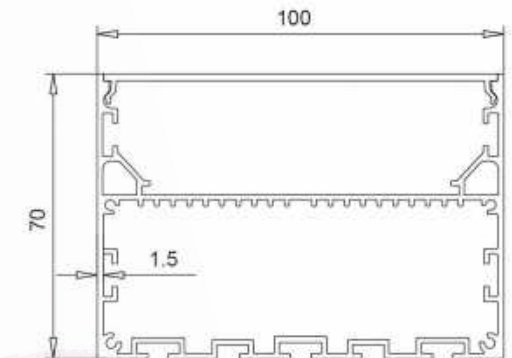


FEATURES

- Up to 100 lm/w, CRI>80 or CRI>90.
- High-quality extrusion 1.5mm 6063 aluminum profile.
- No screw design with end cap.
- 0-10V/1-10V;Dali;Traic dimming are available.
- Emergency back up and sensor optional also available.
- Brand BOKE driver with 5 years warranty.

DIMENSIONS

Length	Width	Height
4ft/47"/1200mm	3.94"/100mm	2.76"/70mm
5ft/59"/1500mm	3.94"/100mm	2.76"/70mm
6ft/71"/1800mm	3.94"/100mm	2.76"/70mm
8ft/94"/2400mm	3.94"/100mm	2.76"/70mm



SPECIFICATION

Model	Power	Luminous	Efficacy	CCT	Input Voltage	PF	Beam Angle
DB-OP10070-xx	20W	2000 lm	100 lm/w	3000K/4000K/5000K	AC180-264V /110-277V	>0.9	110°
DB-OP10070-xx	30W	3000 lm	100 lm/w	3000K/4000K/5000K	AC180-264V /110-277V	>0.9	110°
DB-OP10070-xx	40W	4000 lm	100 lm/w	3000K/4000K/5000K	AC180-264V /110-277V	>0.9	110°
DB-OP10070-xx	50W	5000 lm	100 lm/w	3000K/4000K/5000K	AC180-264V /110-277V	>0.9	110°
DB-OP10070-xx	60W	6000 lm	100 lm/w	3000K/4000K/5000K	AC180-264V /110-277V	>0.9	110°



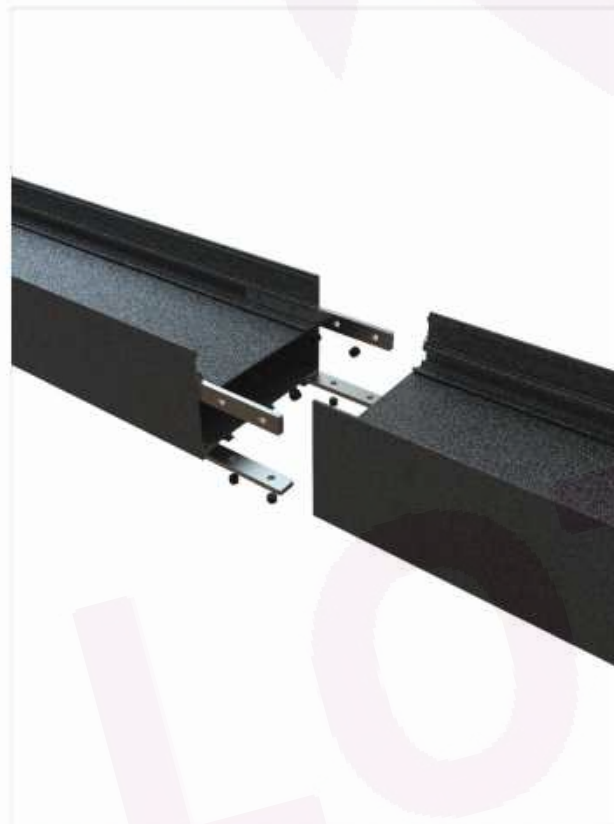
Brighten your life

LED LINEAR NORMAL SERIES



Colour:

- Sand black
- Sand white
- Wood grain
- Matte black
- Matte white
- Silver



DIRECT LED LINEAR

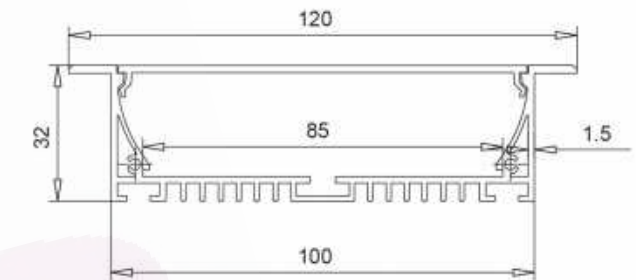


FEATURES

- Up to 100 lm/w, CRI>80 or CRI>90.
- High-quality extrusion 1.5mm 6063 aluminum profile.
- No screw design with end cap.
- 0-10V/1-10V;Dali;Traic dimming are available.
- Emergency back up and sensor optional also available.
- Brand BOKE driver with 5 years warranty.

DIMENSIONS

Length	Width	Height
4ft/47"/1200mm	4.72"/120mm	1.26"/32mm
5ft/59"/1500mm	4.72"/120mm	1.26"/32mm
6ft/71"/1800mm	4.72"/120mm	1.26"/32mm
8ft/94"/2400mm	4.72"/120mm	1.26"/32mm



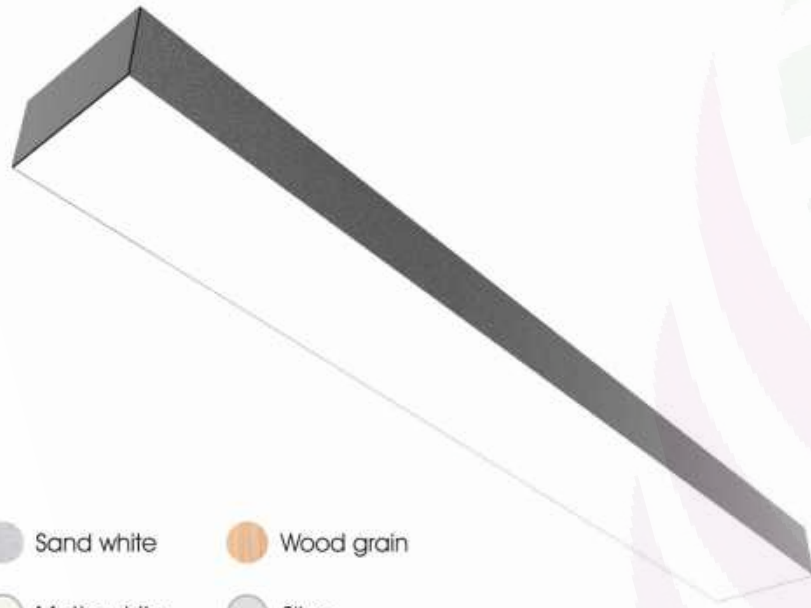
SPECIFICATION

Model	Power	Luminous	Efficacy	CCT	Input Voltage	PF	Beam Angle
DB-OP12032-xx	20W	2000 lm	100 lm/w	3000K/4000K/5000K	AC180-264V /110-277V	>0.9	110°
DB-OP12032-xx	30W	3000 lm	100 lm/w	3000K/4000K/5000K	AC180-264V /110-277V	>0.9	110°
DB-OP12032-xx	40W	4000 lm	100 lm/w	3000K/4000K/5000K	AC180-264V /110-277V	>0.9	110°
DB-OP12032-xx	50W	5000 lm	100 lm/w	3000K/4000K/5000K	AC180-264V /110-277V	>0.9	110°
DB-OP12032-xx	60W	6000 lm	100 lm/w	3000K/4000K/5000K	AC180-264V /110-277V	>0.9	110°



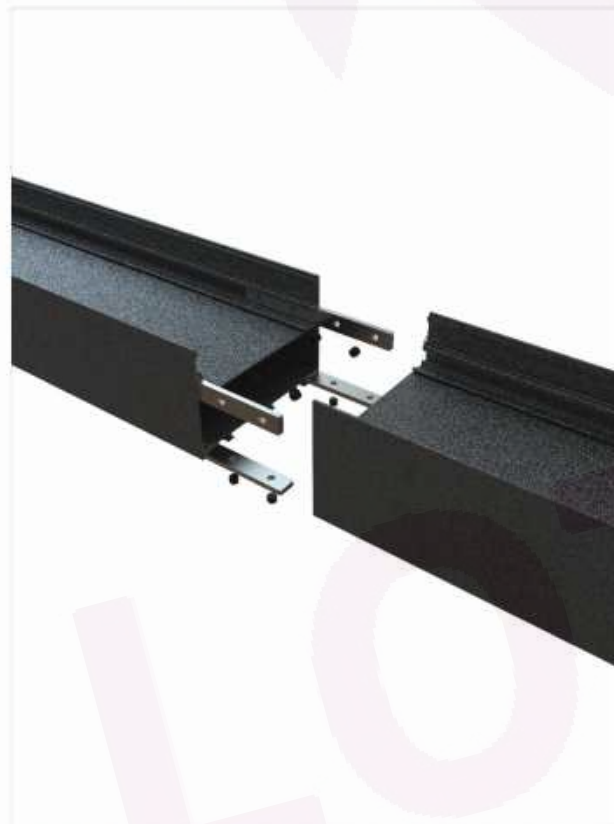
Brighten your life

LED LINEAR NORMAL SERIES



Colour:

- Sand black
- Sand white
- Wood grain
- Matte black
- Matte white
- Silver



DIRECT LED LINEAR

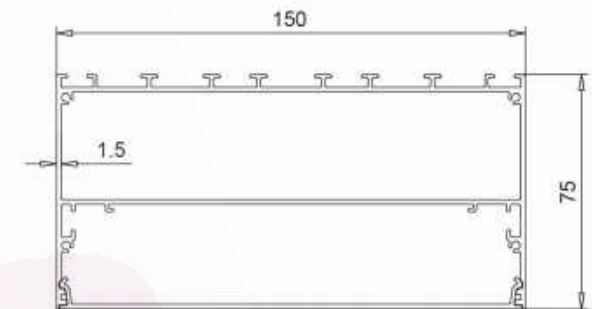


FEATURES

- Up to 100 lm/w, CRI>80 or CRI>90.
- High-quality extrusion 1.5mm 6063 aluminum profile.
- No screw design with end cap.
- 0-10V/1-10V;Dali;Traic dimming are available.
- Emergency back up and sensor optional also available.
- Brand BOKE driver with 5 years warranty.

DIMENSIONS

Length	Width	Height
4ft/47"/1200mm	5.91"/150mm	2.95"/75mm
5ft/59"/1500mm	5.91"/150mm	2.95"/75mm
6ft/71"/1800mm	5.91"/150mm	2.95"/75mm
8ft/94"/2400mm	5.91"/150mm	2.95"/75mm



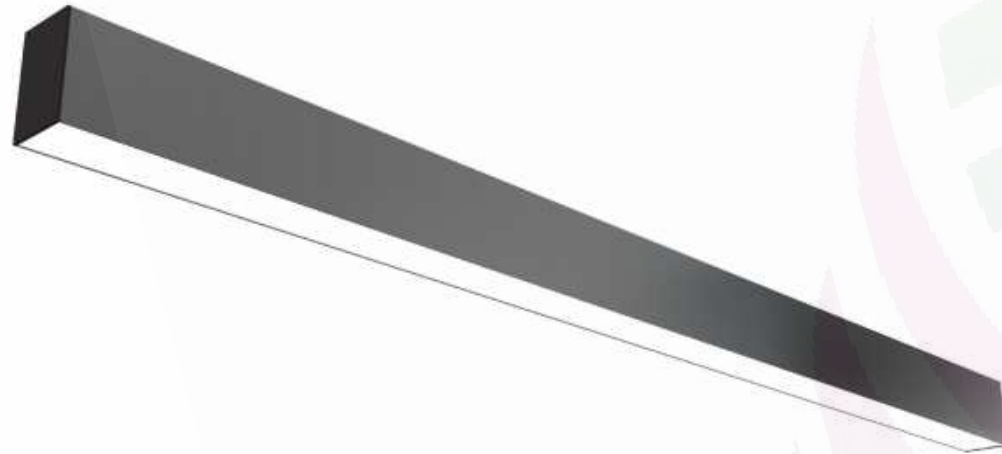
SPECIFICATION

Model	Power	Luminous	Efficacy	CCT	Input Voltage	PF	Beam Angle
DB-OP15075-xx	20W	2000 lm	100 lm/w	3000K/4000K/5000K	AC180-264V /110-277V	>0.9	110°
DB-OP15075-xx	30W	3000 lm	100 lm/w	3000K/4000K/5000K	AC180-264V /110-277V	>0.9	110°
DB-OP15075-xx	40W	4000 lm	100 lm/w	3000K/4000K/5000K	AC180-264V /110-277V	>0.9	110°
DB-OP15075-xx	50W	5000 lm	100 lm/w	3000K/4000K/5000K	AC180-264V /110-277V	>0.9	110°
DB-OP15075-xx	60W	6000 lm	100 lm/w	3000K/4000K/5000K	AC180-264V /110-277V	>0.9	110°



Brighten your life

LED LINEAR NORMAL SERIES



Colour:

- Sand black
- Sand white
- Wood grain
- Matte black
- Matte white
- Silver



DIRECT LED LINEAR

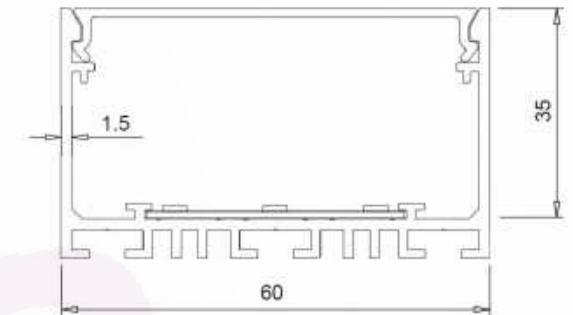


FEATURES

- Up to 100 lm/w, CRI>80 or CRI>90.
- High-quality extrusion 1.5mm 6063 aluminum profile.
- No screw design with end cap.
- 0-10V/1-10V;Dali;Traic dimming are available.
- Emergency back up and sensor optional also available.
- Brand BOKE driver with 5 years warranty.

DIMENSIONS

Length	Width	Height
4ft/47"/1200mm	2.36"/60mm	1.38"/35mm
5ft/59"/1500mm	2.36"/60mm	1.38"/35mm
6ft/71"/1800mm	2.36"/60mm	1.38"/35mm
8ft/94"/2400mm	2.36"/60mm	1.38"/35mm



SPECIFICATION

Model	Power	Luminous	Efficacy	CCT	Input Voltage	PF	Beam Angle
DB-OP6035-xx	20W	2000 lm	100 lm/w	3000K/4000K/5000K	AC180-264V /110-277V	>0.9	110°
DB-OP6035-xx	30W	3000 lm	100 lm/w	3000K/4000K/5000K	AC180-264V /110-277V	>0.9	110°
DB-OP6035-xx	40W	4000 lm	100 lm/w	3000K/4000K/5000K	AC180-264V /110-277V	>0.9	110°
DB-OP6035-xx	50W	5000 lm	100 lm/w	3000K/4000K/5000K	AC180-264V /110-277V	>0.9	110°
DB-OP6035-xx	60W	6000 lm	100 lm/w	3000K/4000K/5000K	AC180-264V /110-277V	>0.9	110°

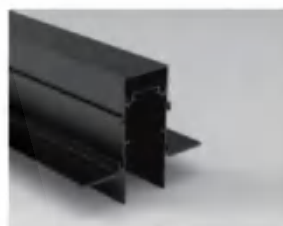


Brighten your life

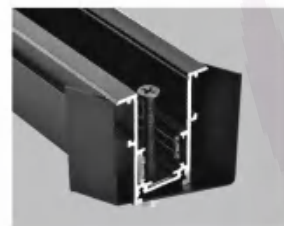
MAGNETIC SUCTION SYSTEM



R20-2
R20-2 magnetic rail-Embedded
Size:L1000xW72xH54.7mm



R20-2E
R20-2E magnetic rail-Embedded
Size:L1000xW72xH53mm



R20-4
R20-4 magnetic rail-Embedded
Size:L1000xW42xH56mm



R20-5
R20-5 magnetic rail-Embedded
Size:L1000xW70.9xH54.9mm



RM-4
RM-4 magnetic rail-Embedded
Size:L1000xW42xH131.3mm



S20
R20 magnetic rail:Surface /Hoisting
Size:L1000xW24.6xH51mm



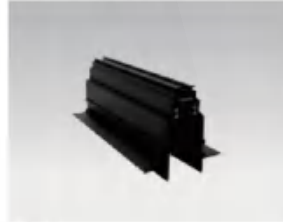
S20-1
S20-1 magnetic rail:Surface /Hoisting
Size:L1000xW24.6xH78mm



S20-2
S20-2 magnetic rail-Surface /Hoisting
Size:L1000xØ59mm



SM
SM magnetic rail-Surface /Hoisting
Size:L1000xW26.4xH28mm



R35-2
R35-2 magnetic rail-Embedded
Size:L1000xW84xH76.9mm



R35-5
R35-5 magnetic rail-Embedded
Size:L1000xW84xH79.7mm



S35
S35 magnetic rail-Surface /Hoisting
Size:L1000xW38xH79.3mm



Floodlight

Product Code : M20-DFS-200
Watt : 6W
Light Source Brand: OSRAM
CRI: ≥90
Beam Angle : 120°
Size : L200 x W22 x H25mm



Floodlight

Product Code : M20-DFS-300
Watt : 7.2W
Light Source Brand: OSRAM
CRI: ≥90
Beam Angle: 120°
Size : L300 x W22 x H25mm



Floodlight

Product Code : M20-DFS-400
Watt: 12W
Light Source Brand: OSRAM
CRI: ≥90
Beam Angle: 120°
Size : L400 x W22 x H25mm



Floodlight

Product Code : M20-DFS-600
Watt : 14.4W
Light Source Brand: OSRAM
CRI: ≥90
Beam Angle: 120°
Size : L600 x W22 x H25mm



Floodlight

Product Code : M20-DFS-1200
Watt : 28.8W
Light Source Brand: OSRAM
CRI: ≥90
Beam Angle: 120°
Size :L1 200 x W22 x H25mm



Floodlight

Product Code : M20-DFS-90°
Watt : 20W
Light Source Brand: OSRAM
CRI: ≥90
Beam Angle: 120°
Size : L325 x W305 x H25mm



Grille light

Product Code : M20-CC1-9
Watt : 18W
Light Source Brand: OSRAM
CRI: ≥90
Beam Angle: 24°/36°
Size: L328 x W22 x H85mm



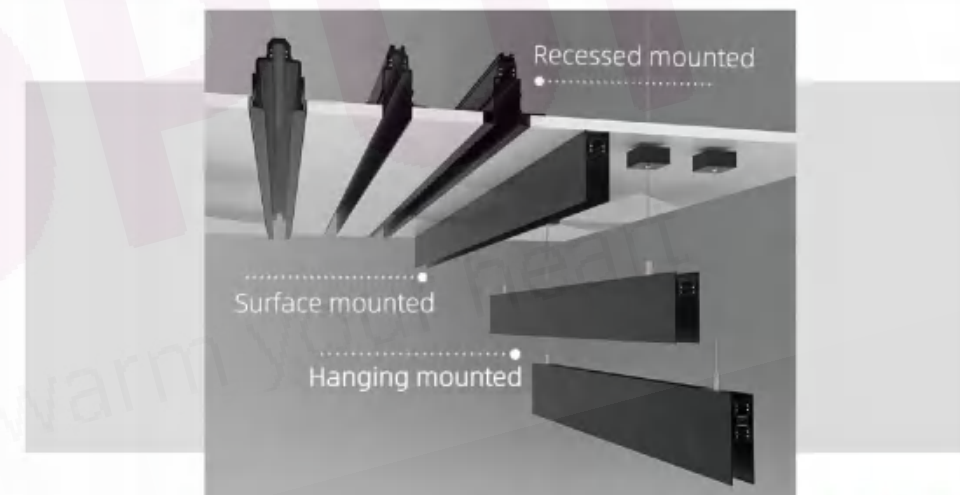
Grille light

Product Code : M20-CC2-9
Watt : 18W
Light Source Brand: OSRAM
CRI: ≥90
Beam Angle: 24°/36°
Size: L328 x W22 x H25mm



Grille light

Product Code : M20-CC3-9
Watt : 24W
Light Source Brand: OSRAM
CRI: ≥90
Beam Angle: 24°/36°
Size: L436 x W22 x H25mm



Brighten your life, warm your home



Grille light

Product Code : M20-LB-6
Watt : 6W
Light Source Brand: OSRAM
CRI: ≥90
Beam Angle : 24°/36°
Size : L113 x W22 x H25mm



Grille light

Product Code : M20-LB-12
Watt : 12W
Light Source Brand: OSRAM
CRI: ≥90
Beam Angle: 24°/36°
Size : L220 x W22x H25mm



Grille light

Product Code : M20-LBM6-M1
Watt : 6W
Light Source Brand: OSRAM
CRI: ≥90
Beam Angle: 24°/36°
Size : L113 x W22x H85mm



Grille light

Product Code : M20-LBM12-M1
Watt : 12W
Light Source Brand: OSRAM
CRI: ≥90
Beam Angle: 24°/36°
Size : L226 x W22x H85mm



Dropline light

Product Code : M20/35-FM-9
Watt : 9W
Light Source Brand: OSRAM
CRI: ≥90
Beam Angle: 15°/24°/36°
Size : Ø50 x H262mm



Dropline light

Product Code : M20/35-FMR-9
Watt: 9W
Light Source Brand: OSRAM
CRI: ≥90
Beam Angle: 15°/24°/36°
Size : Ø100 x H80mm



Dropline light

Product Code : M20/35-FM3-9
Watt : 9W
Light Source Brand: OSRAM
CRI: ≥90
Beam Angle: 15°/24°/36°
Size : Ø60 x H300mm



Grille light

Product Code : M20-LBM6-N
Watt : 6W
Light Source Brand: OSRAM
CRI: ≥90
Beam Angle: 24°/36°
Size : L113 x W22x H90mm



Grille light

Product Code : M20-LBM12-N
Watt : 12W
Light Source Brand: OSRAM
CRI: ≥90
Beam Angle: 24°/36°
Size : L226x W22x H90mm



Grille light

Product Code : M20-LBM5
Watt : 10W
Light Source Brand: OSRAM
CRI: ≥90
Beam Angle: 15°/24°/36°
Size : L137 x W35x H95mm



Grille light

Product Code : M20-LBM10
Watt : 20W
Light Source Brand: OSRAM
CRI: ≥90
Beam Angle: 15°/24°/36°
Size : L270 x W35x H95mm



Floodlight

Product Code : M35-DFS-300
Watt: 12W
Light Source Brand: OSRAM
CRI: ≥90
Beam Angle: 120°
Size : L300 x W34 x H50.5mm



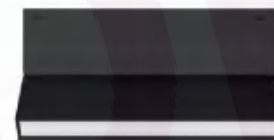
Floodlight

Product Code : M35-DFS-600
Watt: 20W
Light Source Brand: OSRAM
CRI: ≥90
Beam Angle: 120°
Size : L600 x W34 x H50.5mm



Floodlight

Product Code : M35-DFS-1200
Watt: 40W
Light Source Brand: OSRAM
CRI: ≥90
Beam Angle: 120°
Size : L1200 x W34 x H50.5mm



Folding light

Product Code : M35-SL5
Watt : 10W
Light Source Brand: OSRAM
CRI: ≥90
Beam Angle: 120°
Size: L155 x W35 x H31mm



Folding light

Product Code : M35-SL10
Watt : 20W
Light Source Brand: OSRAM
CRI: ≥90
Beam Angle: 120°
Size: L215 x W35 x H31mm



Corner light

Product Code : M35-DFS-90°
Watt : 20W
Light Source Brand: OSRAM
CRI: ≥90
Beam Angle :120°
Size : L335 x W305 x H50.5mm



Track light

Product Code : M20-TR-90°
Watt : 3W
Light Source Brand: OSRAM
CRI: ≥90
Beam Angle: 15°/24°/36°
Size: Ø40 x H90mm



Track light

Product Code : M20-TL7
Watt: 7W
Light Source Brand: OSRAM
CRI: ≥90
Beam Angle: 15°/24°/36°
Size: Ø40 x H120mm

Track light

Product Code : M20-TL12
Watt:12W
Light Source Brand: OSRAM
CRI: ≥90
Beam Angle: 15°/24°/36°
Size : Ø50 x H136mm

Track light

Product Code : M20-TL20
Watt: 16W
Light Source Brand: OSRAM
CRI: ≥90
Beam Angle: 15°/24°/36°
Size : Ø62 x H147mm

Track light

Product Code : M20-TL30
Watt: 22W
Light Source Brand: OSRAM
CRI: ≥90
Beam Angle: 15°/24°/36°
Size: Ø75 x H148mm



Grille light

Product Code : M35-LB-5
Watt : 10W
Light Source Brand: OSRAM
CRI: ≥90
Beam Angle: 15°/24°/36°
Size : L135 x W34 x H50.5mm



Grille light

Product Code : M35-LB-10
Watt : 20W
Light Source Brand: OSRAM
CRI: ≥90
Beam Angle: 15°/24°/36°
Size : L270 x W34 x H50.5mm



Grille light

Product Code : M35-LB-15
Watt : 30W
Light Source Brand: OSRAM
CRI: ≥90
Beam Angle: 15°/24°/36°
Size : L405 x W34 x H50.5mm



Grille light

Product Code : M35-LBM5
Watt : 10W
Light Source Brand: OSRAM
CRI: ≥90
Beam Angle: 15°/24°/36°
Size: L137 x W35 x H95mm



Grille light

Product Code : M35-LBM10
Watt : 20W
Light Source Brand: OSRAM
CRI: ≥90
Beam Angle: 15°/24°/36°
Size: L270 x W35 x H95mm



Grille light

Product Code : M35-LBM-5-N
Watt : 10W
Light Source Brand: OSRAM
CRI: ≥90
Beam Angle: 15°/24°/36°
Size: L138 x W35 x H51mm



Grille light

Product Code : M35-LBM-10-N
Watt : 20W
Light Source Brand: OSRAM
CRI: ≥90
Beam Angle: 15°/24°/36°
Size: L271 x W35 x H51mm



Track light

Product Code : M35-SP4
Watt : 7W
Light Source Brand: OSRAM
CRI: ≥90
Beam Angle: 15°/24°/36°
Size: Ø50 x H120mm

Track light

Product Code : M35-TL12
Watt: 12W
Light Source Brand: OSRAM
CRI: ≥90
Beam Angle: 15°/24°/36°
Size: Ø50 x H136mm

Track light

Product Code : M35 -TL20
Watt: 16W
Light Source Brand: OSRAM
CRI: ≥90
Beam Angle: 15°/24°/36°
Size: Ø62 x H147mm

Track light

Product Code : M35-TL30
Watt: 22W
Light Source Brand: OSRAM
CRI: ≥90
Beam Angle: 15°/24°/36°
Size: Ø75 x H148mm

Module Class



SECOND GENERATION INPUT MODULE

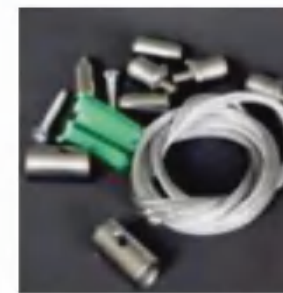


SECOND GENERATION THROUGH MODULE



SECOND GENERATION CORNER MODULE

Accessories



20/35 DROPPER KIT



20 SURFACE MOUNTED BUCKLE



35 SURFACE MOUNTED BUCKLE



R20-4 SPRING

Surface Mounted Power Supply



20 SERIES 100 WATT INTERNAL POWER SUPPLY



20 SERIES 200 WATT INTERNAL POWER SUPPLY



35 SERIES 100 WATT INTERNAL POWER SUPPLY



35 SERIES 200/300 WATT INTERNAL POWER SUPPLY

Corner Class



SM



S20



R20-2



R20-2E



R20-4



R20-5



S35



R35-2



R35-5

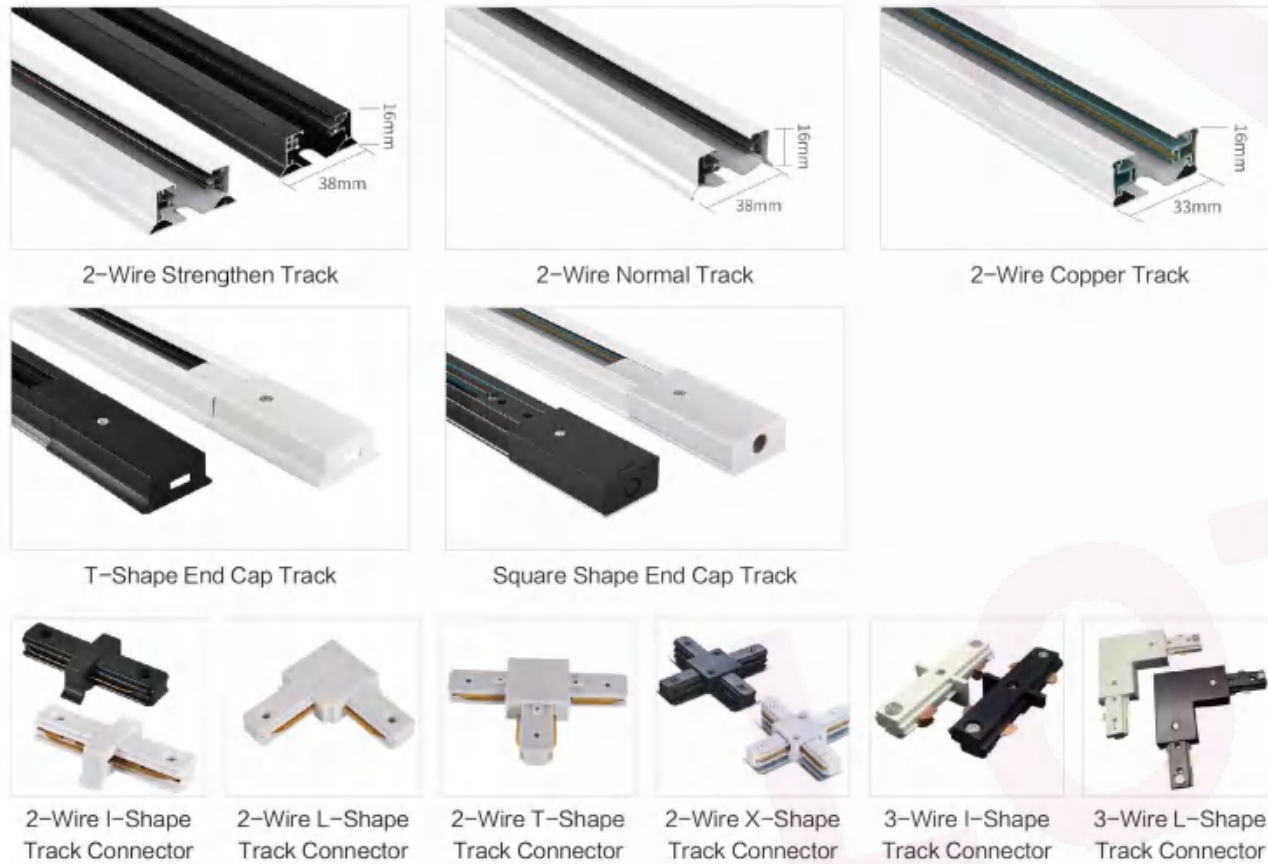
LED TRACK LIGHT SERIES

LED TRACK LIGHT



SPECIFICATION

Model	Power	Diameter	Height	Efficacy	ICCT	Input Voltage	PF
DB-xx-9002	20W - 40W	Ø90 mm	110/130/140 mm	80 lm/w	3000K/4000K/5000K	AC85-265V	>0.9
DB-xx-9001	15W - 40W	Ø110 mm	90/100/105/115/125mm	80 lm/w	3000K/4000K/5000K	AC85-265V	>0.9
DB-xx-9003	30W	Ø100 mm	120 mm	80 lm/w	3000K/4000K/5000K	AC85-265V	>0.9
DB-xx-318	20W - 30W	Ø80 mm	115/130 mm	80 lm/w	3000K/4000K/5000K	AC85-265V	>0.9
DB-xx-319	15W - 30W	Ø60 mm	118 /160/180 mm	80 lm/w	3000K/4000K/5000K	AC85-265V	>0.9
DB-xx-9004	20W - 30W	Ø80 mm	160/180 mm	80 lm/w	3000K/4000K/5000K	AC85-265V	>0.9
DB-xx-9005	35W	Ø80 mm	160 mm	80 lm/w	3000K/4000K/5000K	AC85-265V	>0.9
DB-xx-8001	20W - 30W	Ø90 mm	135 mm	80 lm/w	3000K/4000K/5000K	AC85-265V	>0.9
DB-xx-8002	10W - 40W	Ø55/60/90 mm	118/120/130/178 mm	80 lm/w	3000K/4000K/5000K	AC85-265V	>0.9



Brighten your life

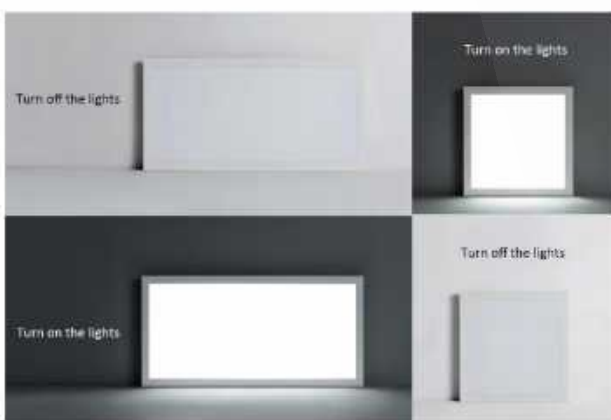
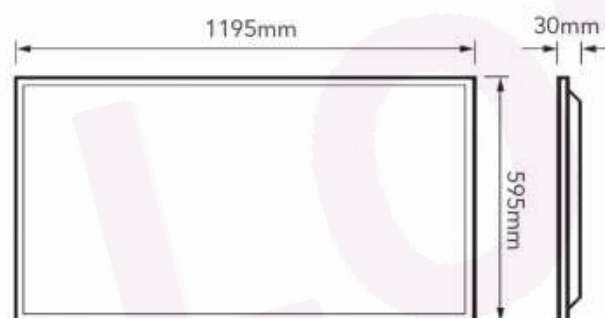
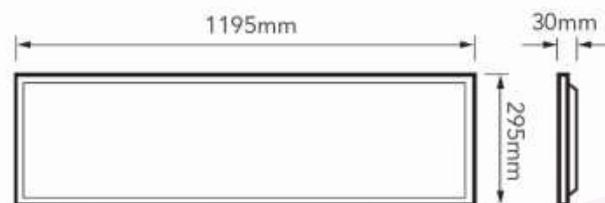
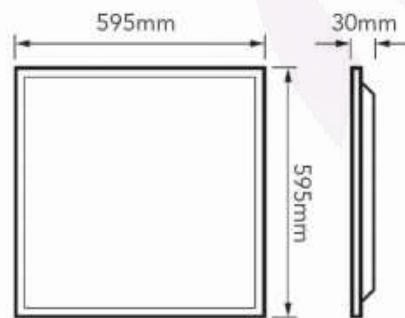
LED PANEL LIGHT SERIES

LED PANEL LIGHT



SPECIFICATION

Model	Power	Size(L*W*H)	Efficacy	CCT	Input Voltage	PF
DB-MBxx-18	18 W	295*295*30mm	80 lm/w	3000K/4000K/5000K	AC85-265V	>0.9
DB-MBxx-24	24W	295*595*30mm	80 lm/w	3000K/4000K/5000K	AC85-265V	>0.9
DB-MBxx-40-A	40W	595*595*30mm	80 lm/w	3000K/4000K/5000K	AC85-265V	>0.9
DB-MBxx-40-B	40W	295*1195*30mm	80 lm/w	3000K/4000K/5000K	AC85-265V	>0.9
DB-MBxx-72	72W	595*1195*30mm	80 lm/w	3000K/4000K/5000K	AC85-265V	>0.9



Brighten your life